

www.skval.com

General Valve Series



SKVAL®

CMEC SKVAL VALVES

Comprehensive Engineering Solutions For Oil & Gas Fields

Brief Introduction

SKVAL is one of the leading valve manufacturers in China. For more than 20 years we have been supplying high quality valves to the global market as well as performing OEM manufacture for some of the world's most famous valve companies. As a result, our valves are widely used all over the world and we have a large installed base performing well.

At SKVAL we produce Ball, Gate, Globe, Check, Butterfly and Plug Valves and valve parts in sizes from 1/2" to 52" and pressure classes from ANSI 150# to ANSI 2500#. Materials of construction range from conventional cast and forged steel to speciality alloy materials such as Duplex SS and Monel. Valves are in full compliance with ASTM, ANSI, API, BS, DIN and JIS standards.





We are devoted to providing quality products and service and have been recognized with ATEX, ISO9001, API6D, API607, CE and GOST certificates. SKVAL always puts customer satisfaction in the first place by offering competitive price, quick response, high quality and timely delivery to our customers.



CMEC SKVAL VALVES

Quality Assurance

Comprehensive Engineering Solutions For Oil & Gas Fields







Advanced
Manufacturing



SKVAL®



Quality Control

Comprehensive Engineering Solutions For
Oil & Gas Fields



SKVAL®

**Comprehensive engineering solutions
for oil & gas fields**



Contents

How To Order	01-02
ANSI Cast Steel Valve Series	03-21
DIN Cast Steel Valve Series	22-27
Forged Steel Valve Series	28-41
Plug Valve Series	42-46
Flange Dimensions	47-51
Note	52-53
Application	54

How To Order

Example

Sample	8	G	P	9	B	05	A
Code	1	2	3	4	5	6	7

1. Valve Size

1	Valve NPS	Design standard
NPS	Nominal pipe size	API, ANSI
DN	Nominal diameter	BS, EN, DIN

2. Valve Type

G	GATE
GL	GLOBE
SC	SWING CHECK
PC	PISTON
P	PLUG

3. Body Type

3	Special code	Suitable valve
R	Reduced port	
C	Cryogenic	
P	Pressure seal	G/C/GL Valve
N	Non-rising stem	G/GL Valve
B	Bellows type	
A	Adjustment-type disc	Globe valve
M	Trunnion mounted	
T	Top entry	Ball valve
W	Fully-welded	
V	Vertical	Check valve
H	Horizontal	
Y	Y-type	Strainer

4. Nominal Pressure

Class	150	300	600	800	900	1500	2500
Symbol	1	3	6	8	9	15	25

5. End Type

5	Type of connection	Stand code
F	Raised face flange end	RF
L	Flat face flange end	FF
R	Ring type joint flange end	RTJ
B	Butt welding end	BW
S	Socket welding end	SW
T	Screwed end, Internal thread, NPT	SC

6. Trim Material

Code	API CN	Surface		Brinell Hardness	Stem material
		Closure member	Seat		
01	1	13Cr	13Cr	250 HB min	13Cr
02	2	18Cr-8Ni	18Cr-8Ni	Not specified	18Cr-8Ni
03	3	20Cr-20Ni	20Cr-20Ni	Not specified	20Cr-20Ni
04	4	13Cr	13Cr	750 HB min	13Cr
05	5	HF	HF	350 HB min	13Cr
06	6	13Cr	CuNi	250 HB/175 HB min	13Cr
07	7	13Cr	13Cr	250 HB/750 HB min	13Cr
08	8	13Cr	HF	250 HB/350 HB min	13Cr
09	9	NiCu alloy	NiCu alloy	Not specified	NiCu alloy
10	10	18Cr-8Ni-Mo	18Cr-8Ni-Mo	Not specified	18Cr-8Ni-Mo
11	11	NiCu alloy	HF	350 HB min	NiCu alloy
12	12	18Cr-8Ni-Mo	HF	350 HB min	18Cr-8Ni-Mo
13	13	19Cr-29Ni	19Cr-29Ni	Not specified	19Cr-29Ni
14	14	19Cr-29Ni	HF	350 HB min	19Cr-29Ni
50	/	A105+ENP2)	Soft seat1)	Not specified	13Cr
55	/	13Cr	Soft seat1)	Not specified	13Cr
56	/	18Cr-8Ni	Soft seat1)	Not specified	13Cr
57	/	18Cr-8Ni	Soft seat1)	Not specified	18Cr-8Ni
58	/	18Cr-8Ni-Mo	Soft seat1)	Not specified	13Cr
59	/	18Cr-8Ni-Mo	Soft seat1)	Not specified	18Cr-8Ni-Mo

Notes:

- 1) Soft seat including PTFE, NYLON and PEEK, see part list for details.
- 2) ENP=Electroless nickel plating.
- 3) Other materials can be used upon discussion between buyer and manufacturer.

7.Body Material

ASTM Spec. grade	Nominal designation	Service recommendations	Min. TEMP		Min. TEMP		
			°F	°C	°F	°C	
A216-WCB	Cast carbon steel	W.O.G(Water, oil & gas)steam and general service	-20	-29	800	425	
A352-LCB	Cast carbon steel	Low temperature and general service	-50	-46	650	343	
A352-LCC	Cast carbon steel	Low temperature and general service	-50	-46	650	343	
A217-WC6	Chrome-molybdenum steel 1 1/4Cr-1/2Mo	High temperature steam oil vapour and general service	-20	-29	1100	593	
A217-WC9	Chrome-molybdenum steel 2 1/4Cr-1Mo	High temperature steam oil vapour and general service	-20	-29	1100	593	
A217-C5	Chrome-molybdenum steel 5Cr-1/2Mo	Corrosive erosive oil refinery service	-20	-29	1200	649	
A217-C12	Chrome-molybdenum steel 9Cr-1Mo	Corrosive erosive oil refinery service	-20	-29	1200	649	
A351-CF8	Cast stainless steel 18Cr-10Ni, 304 SS	Corrosive or extremely high temperature noncorrosive services between -450 °F (-268 °F) and 1200 ° F (649 °F). Above 1000 ° F (540 ° F) specify carbon content of 0.04% or greater.	-20	-29	1100	593	
A351-CF8M	Cast stainless steel 18Cr-10Ni-2Mo, 316 SS		-20	-29	1100	593	
A351-CF3	Cast stainless steel 18Cr-10Ni, 304L SS		-20	-29	800	425	
A351-CF3M	Cast stainless steel 18Cr-10Ni-2Mo, 316L SS		-20	-29	850	454	
A351-CN7M	Cast stainless steel 19Cr-29Ni, Alloy-20	Corrosion resistance	-20	-29	800	425	
A494 M-35-1	Cast Ni alloy steel monel	Weldable grade, good resistance to corrosion by all common organic acids and salt water	-20	-29	750	400	
A494 CW-6M	Cast Ni alloy steel hastelloy C	Good resistance to strong oxidation conditions. Good properties at high temperatures, high resistance to formic, phosphoric, sulphurous and sulfuric acids.	-20	-29	1200	649	
A494 CY-40	Cast Ni alloy steel inconel	Very good for high temperature service. Good resistance to strongly corrosive media.	-20	-29	1200	649	
A105(N)	Forged carbon steel	W.O.G(Water, oil & gas)steam and general service	-50	-46	650	343	
A350-LF2	Forged carbon steel	W.O.G(Water, oil & gas)and general service	-50	-46	650	343	
A182-F11	Chrome-molybdenum steel 1 1/4Cr-1/2 Si	High temperature, steam oil vapour and general service	-40	-40	1100	593	
A182-F304	Forged stainless steel 18Cr-10Ni-2Mo, 304 SS	Corrosive or extremely high tem- perature non-corrosive services between -450° F (-268° C) and 1200° F (649° C). Above1000° F (540° C) specify carbon content of 0.04% or greater.	-20	-29	1100	593	
A182-F316	Forged stainless steel 18Cr-10Ni-2Mo, 316 SS		-20	-29	1100	593	
A182-F304L	Forged low carbon stainless steel 18Cr-10Ni, 304L SS		-20	-29	800	425	
A182-F316L	Forged low carbon stainless steel 18Cr-10Ni, 316L SS		-20	-29	850	454	
Note: The soft seal valve maximum working temperature depending upon the seat material.		Seat material	R.PTFE	-320	-196	250	121
			NYLON	-58	-50	176	80
			PEEK	-185	-120	483	250

ANSI CAST STEEL VALVE SERIES



Cast Steel Gate Valve(API 600)

◆ Feature

Size: 2"~48"
 Class: 150LB~2500LB
 Body Material: Cast Carbon Steel, Cast Alloy Steel, Cast Stainless Steel, Duplex Steel, etc.
 Trim: API600
 OS&Y, Rising Stem
 Bolted bonnet
 Flexible Wedge
 By Pass (On Request)
 Locking Device (On Request)
 Extended Bonnet for Cryogenic Service (On Request)

◆ Specification

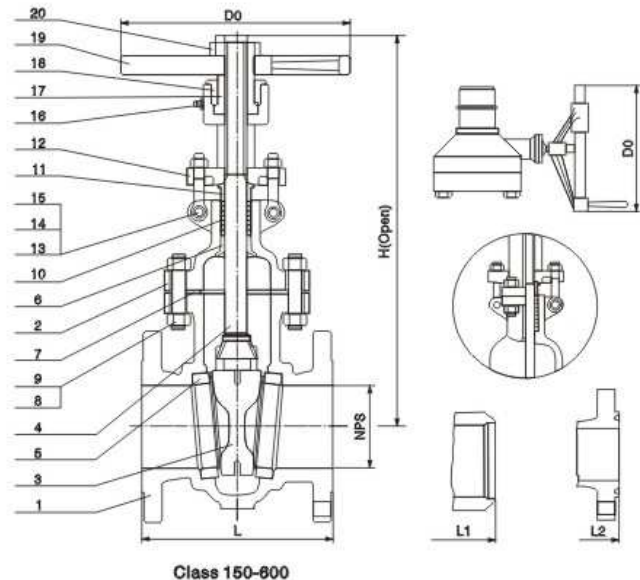
Design: API600, ASME B16.34
 Face to Face: ASME B16.10
 End Flange: ASME B16.5, ASME B16.47
 BW Ends: ASME B16.25
 Test: API598
 Special: NACE MR-01-75

◆ Material List

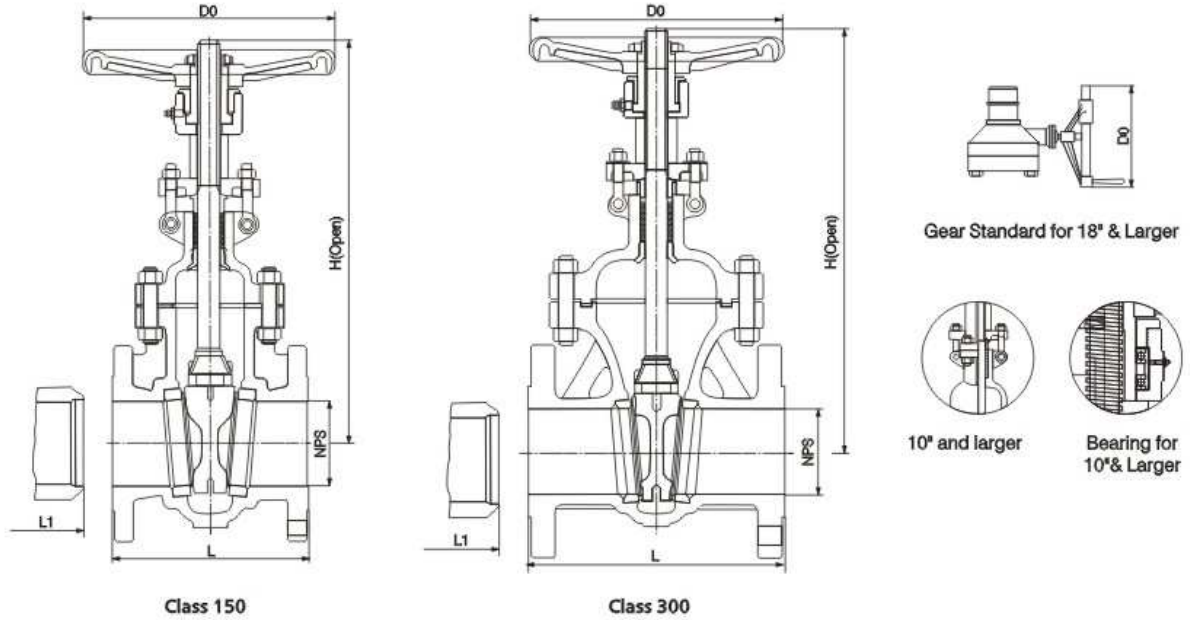
NO.	Part name	ASTM Material		
1	Body	A216-WCB	A217-WC6	A352-LCB
2	Bonnet	A216-WCB	A217-WC6	A352-LCB
3	Wedge	A216-WCB+CR13	A217-WC6+HF	A352-LCB+CR13
4	Stem	A182-F6a	A182-F6a	A182-F6a
5	Seat ring	A105+HF	A182-F11+HF	A350-LF2+HF
6	Stem backseat	A276-420	A276-304	A276-420
7	Bonnet gasket	Spiral wound(Graphite+304)		
8	Bonnet stud	A193-B7	A193-B16	A320-L7
9	Bonnet stud nut	A194-2H	A194-4	A194-7
10	Packing	Graphite		
11	Gland	A276-420	A276-304	A276-420
12	Gland flange	A216-WCB	A217-WC6	A352-LCB
13	Eyebolt pin	A276-420	A276-420	A276-420
14	Eyebolt	A193-B7	A193-B16	A320-L7
15	Eyebolt nut	A194-2H	A194-4	A194-7
16	Grease fitting	Brass or steel		
17	Yokesleeve	A439-D2/Aluminum-Bronze		
18	Yokesleeve jam nut	Carbon steel		
19	Handwheel	Malleable cast iron		
20	Handwheel nut	Carbon steel		

Note:

- 1). Ductile NI-Resist optional;
- 2). Wedge and seat ring may either be solid facing material or a base material equal to or better than the body/bonnet material with facing Das shown.



Cast Steel Gate Valve(API 600)

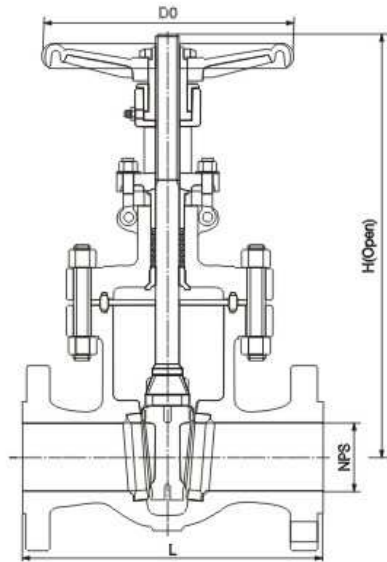


◆ Size

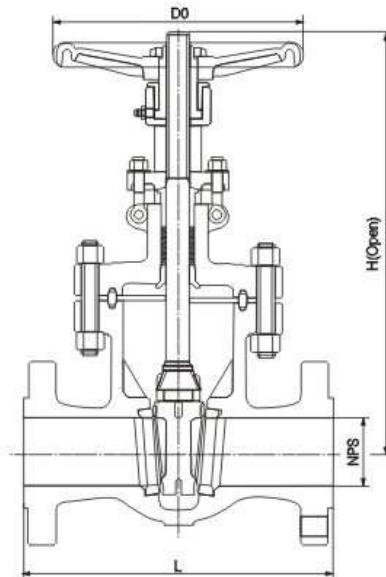
Class 150									
Size		L (RF)		L1 (BW)		H (Open)		D0	
NPS	DN	in	mm	in	mm	in	mm	in	mm
1 1/2	40	6.5	165	6.5	165	15.7	392	7.86	200
2	50	7.00	178	8.5	216	15.31	389	8	200
2 1/2	65	7.50	191	9.50	241	17.28	439	8	200
3	80	8.00	203	11.12	283	19.89	500	10	250
4	100	9.00	229	12.00	305	23.43	595	10	250
6	150	10.50	267	15.88	403	30.59	777	14	350
8	200	11.50	292	16.50	419	38.39	975	14	350
10	250	13.00	330	18.00	457	45.67	1160	16	400
12	300	14.00	356	19.75	502	54.72	1390	18	450
14	350	15.00	381	22.50	572	61.22	1555	22	560
16	400	16.00	406	24.00	610	71.30	1811	24	600
18	450	17.00	432	26.00	660	82.80	2103	25	640
20	500	18.00	457	28.00	711	90.55	2300	27	680
24	600	20.00	508	32.00	813	102.72	2609	30	760
26	650	22.00	559	34.00	864	109.45	2780	24	610
28	700	24.00	610	36.00	914	130.98	3327	24	610
30	750	24.00	610	36.00	914	141.97	3606	24	610
32	800	28.00	711	38.00	965	145.98	3708	24	610
36	900	28.00	711	40.00	1016	154.49	3924	24	610
40	1000	30.00	762	42.00	1067	168.50	4280	24	610
42	1050	31.00	787	43.00	1092	175.39	4455	32	810
48	1200	34.00	864	46.00	1168	193.31	4910	32	810

Class 300							
Size		L/L1 (RF/BW)		H (OPEN)		D0	
NPS	DN	in	mm	in	mm	in	mm
1 1/2	40	7.5	190	14.7	374	7.88	200
2	50	8.50	216	16.93	430	8	200
2 1/2	65	9.50	241	19.88	505	10	250
3	80	11.12	283	20.87	530	10	250
4	100	12.00	305	24.00	612	12	300
6	150	15.88	403	31.75	805	14	350
8	200	16.50	419	39.38	1000	16	400
10	250	18.00	457	48.82	1240	18	450
12	300	19.75	502	57.87	1470	20	500
14	350	30.00	762	64.76	1645	24	600
16	400	33.00	838	72.48	1841	24	600
18	450	36.00	914	77.13	1959	24	610
20	500	39.00	991	86.38	2194	24	610
24	600	45.00	1143	102.28	2598	24	610
26	650	49.00	1245	110.24	2800	24	610
28	700	53.00	1346	122.05	3100	24	610
30	750	55.00	1397	130.71	3320	32	810
32	800	60.00	1524	140.16	3560	32	810
36	900	68.00	1727	153.94	3910	32	810

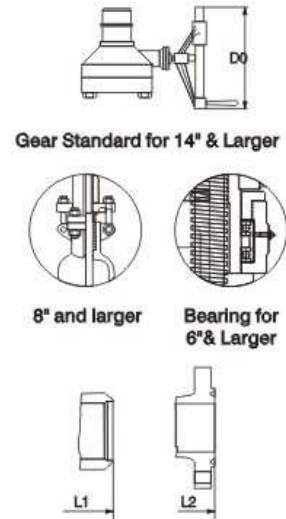
Cast Steel Gate Valve(API 600)



Class 600



Class 900



◆ Size

Class 600									
Size		L/L1 (RF/BW)		L2 (RTJ)		H (OPEN)		D0	
NPS	DN	in	mm	in	mm	in	mm	in	mm
2	50	11.50	292	11.62	295	17.91	455	10	250
2 1/2	65	13.00	330	13.12	333	23.14	588	10	250
3	80	14.00	356	14.12	359	21.65	550	10	250
4	100	17.00	432	17.12	435	27.17	690	14	350
6	150	22.00	559	22.12	562	35.83	910	18	450
8	200	26.00	660	26.12	663	41.93	1065	20	500
10	250	31.00	787	31.12	790	49.49	1257	25	640
12	300	33.00	838	33.12	841	57.80	1468	27	680
14	350	35.00	889	35.12	892	63.90	1623	24	610
16	400	39.00	991	39.12	994	71.50	1816	24	610
18	450	43.00	1092	43.12	1095	88.98	2260	24	610
20	500	47.00	1194	47.25	1200	106.50	2705	24	610
24	600	55.00	1397	55.38	1407	101.63	2810	24	610

Class 900									
Size		L/L1 (RF/BW)		L2 (RTJ)		H (OPEN)		D0	
NPS	DN	in	mm	in	mm	in	mm	in	mm
2	50	14.50	368	14.62	371	24.41	620	12	300
2 1/2	65	16.50	419	16.62	422	27.76	705	14	350
3	80	15.00	381	15.12	384	29.02	737	14	350
4	100	18.00	457	18.12	460	32.48	825	16	400
6	150	24.00	610	24.12	613	41.93	1065	20	500
8	200	29.00	737	29.12	740	47.99	1219	24	600
10	250	33.00	838	33.12	841	52.95	1345	24	610
12	300	38.00	965	38.12	968	72.44	1550	24	610
14	350	40.50	1029	40.88	1038	74.88	1900	32	800
16	400	44.50	1130	44.88	1140	81.00	2055	32	800
18	450	48.00	1219	48.50	1232	87.00	2215	38	950
20	500	52.00	1321	52.50	1334	101.00	2565	38	950
24	600	61.00	1549	61.75	1568	104.00	2640	40	1000

Class 1500,2500 proposed structure of self-sealing, For flange connection with the company.

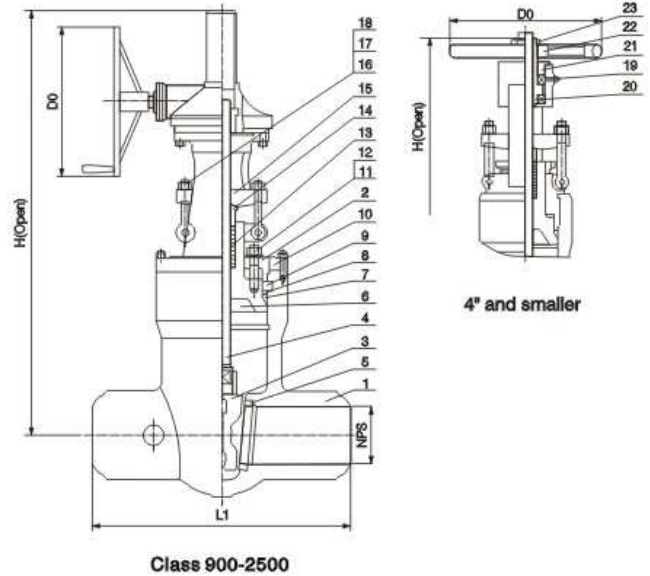
Cast Steel Gate Valve (Pressure Seal Bonnet)

◆ Feature

Size: 2"~12"
 Class: 900LB~2500LB
 Body Material: Cast Carbon Steel, Cast Alloy Steel, Cast Stainless Steel, Duplex Steel, etc.
 Trim: API600
 OS&Y, Rising Stem
 Pressure Seal
 Flexible Wedge
 By Pass (On Request)
 Locking Device (On Request)

◆ Specification

Design: API600, ASME B16.34
 Face to Face: ASME B16.10
 End Flange: ASME B16.5 ASME B16.47
 BW Ends: ASME B16.25
 Test: API598
 Special: NACE MR-01-75

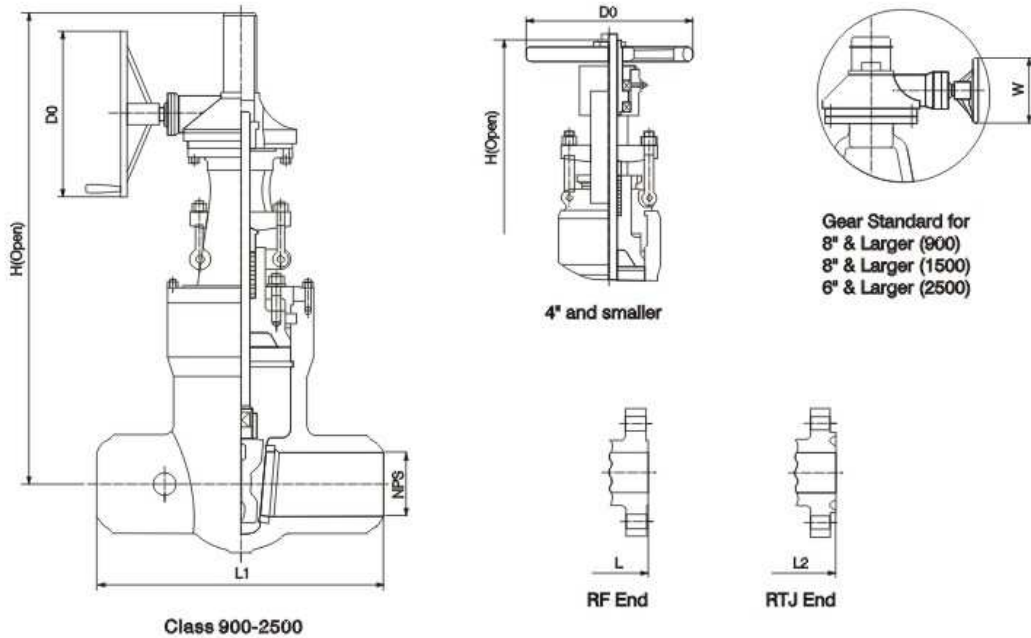


◆ Material List

NO.	Part name	ASTM Material		
1	Body	A216-WCB	A217-WC6	A351-CF3M
2	Yoke	A216-WCB	A217-WC6	A351-CF3M
3	Wedge	A216-WCB+HF	A217-WC6+HF	A351-CF3M+HF
4	Stem	A182-F6a	A182-F6a	A182-316L
5	Seat ring	A105+HF	A182-F11+HF	A240-316+HF
6	Bonnet	A216-WCB+HF	A182-F11	A351-CF3M
7	Bonnet gasket ¹⁾	304SS Ring	304SS Ring	316SS Ring
8	Adapter ring	A276-410	A276-410	A276-316L
9	Retainer	A276-410	A276-410	A276-316L
10	Yoke cap	A216-WCB	A217-WC6	A351-CF3M
11	Bonnet stud	A193-B7	A193-B16	A193-B8M
12	Bonnet stud nut	A194-2H	A194-4	A194-8M
13	Packing		Graphite	
14	Gland	A276-420	A276-304	A276-316L
15	Gland flange	A216-WCB	A217-WC6	A351-CF8M
16	Eyebolt pin	A276-420	A276-420	A276-316
17	Eyebolt	A193-B7	A193-B16	A193-B8M
18	Eyebolt nut	A194-2H	A194-4	A194-8M
19	Grease fitting		Brass+steel	
20	Yokesleeve		A439-D2/Aluminum-Bronze	
21	Yokesleeve jam nut	Carbon steel		Stainless steel
22	Handwheel		Malleable cast Iron	
23	Handwheel nut		Carbon steel	

Note: 1). Graphite optional
 2). Ductile Ni-resist optional
 3). Wedge and seat ring may either be solid facing material or a base material equal to or better than the body/bonnet material with facing as shown.

Cast Steel Gate Valve (Pressure Seal Bonnet)



◆ Size

Size		Class 900							
NPS	DN	L/L1		L2(RTJ)		H(Open)		D0	
		in	mm	in	mm	in	mm	in	mm
2	50	14.50	368	14.62	371	24.00	610	12	300
2 1/2	65	16.50	419	16.62	422	30.00	762	14	350
3	80	15.00	381	15.12	384	30.71	780	14	350
4	100	18.00	457	18.12	460	33.86	860	16	400
6	150	24.00	610	24.12	613	40.35	1025	20	500
8	200	29.00	737	27.12	740	50.63	1286	24	610
10	250	33.00	838	33.12	841	60.63	1540	24	610
12	300	38.00	965	38.12	968	70.28	1785	24	610

Size		Class 1500							
NPS	DN	L/L1		L2(RTJ)		H(Open)		D0	
		in	mm	in	mm	in	mm	in	mm
2	50	14.50	368	14.62	371	24.00	610	12	300
2 1/2	65	16.50	419	16.62	422	30.55	776	16	400
3	80	18.50	470	18.62	473	30.90	785	16	400
4	100	21.50	546	21.62	549	34.40	874	20	500
6	150	27.75	705	28.00	711	40.35	1025	24	600
8	200	32.75	832	33.13	842	53.46	1358	24	610
10	250	39.00	991	39.38	1000	61.74	1568	24	610
12	300	44.50	1130	45.12	1146	74.50	1892	24	610

Size		Class 2500							
NPS	DN	L/L1		L2(RTJ)		H(Open)		D0	
		in	mm	in	mm	in	mm	in	mm
2	50	17.75	451	17.87	454	24.00	610	14	350
2 1/2	65	20.00	508	20.25	514	30.55	776	18	450
3	80	22.78	578	23.00	584	30.90	785	18	450
4	100	26.50	673	26.88	683	34.40	874	20	500
6	150	36.00	914	36.50	927	44.02	1118	24	610
8	200	40.25	1022	40.67	1038	53.46	1358	24	610
10	250	50.00	1270	50.88	1292	66.14	1680	24	610
12	300	56.00	1422	56.88	1445	74.50	1892	24	610

Through Conduit Gate Valve

◆ Specification

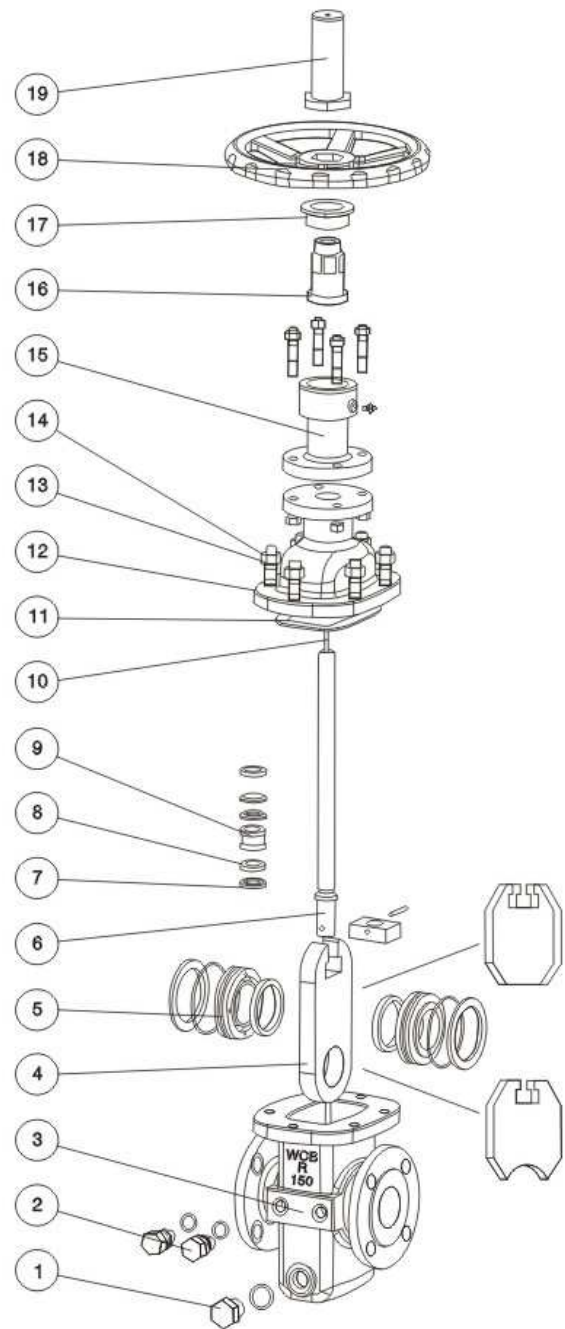
Design standard		API 6D	ASME B16.34
Structural length	Flanged ends	API 6D	ASME B16.10
	Welded connection	API 6D	ASME B16.10
Flanged ends		ASME B16.5, ASME B16.47	
Butt-welding ends		ASME B16.25	
Test & inspection		API 6D	API 598

Notes: Serial valve connecting flange and butt-welding terminal size can be designed, at customers' request.

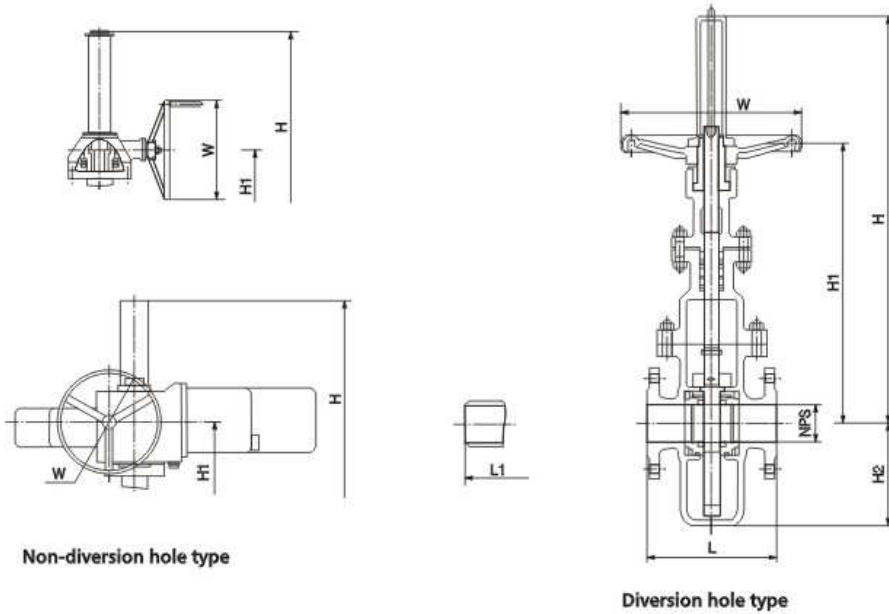
◆ Material List

No.	Accessory name	Material	
		Ordinary type	Antisulphur type
		ASTM	ASTM
1	Blow down stopple	A276-420	A276-304
2	Grease injection joint	A105	A105
3	Body	A216-WCB	A216-WCB
4	Gate disc	A105+ENP	A276-F304
5	Seat	25+PTFE+NBR	304+PTFE+FPM
6	Stem	A186-F6a	A182-F304
7	Lower packing	PTFE	PTFE
8	Spacing ring	A276-420	A276-420
9	Upper packing	PTFE	PTFE
10	Indicating finger	A276-420	A276-420
11	Gasket	Graphite + stainless steel	
12	Bonnet	A216-WCB	A216-WCB
13	Bolt	A193-B7	A193-B7M
14	Nut	A194-2H	A194-2HM
15	Yoke	A216-WCB	A216-WCB
16	Stem nut	A439-D2	A439-D2
17	Gland	A105	A105
18	Hand wheel	Malleable cast iron	Malleable cast iron
19	Indicating cover	AISI 1025	AISI 1025

Notes: The major parts of the serial valves and materials of sealing surface can be designed and selected according to actual work condition or customers' specific requirement.



Through Conduit Gate Valve



Non-diversion hole type

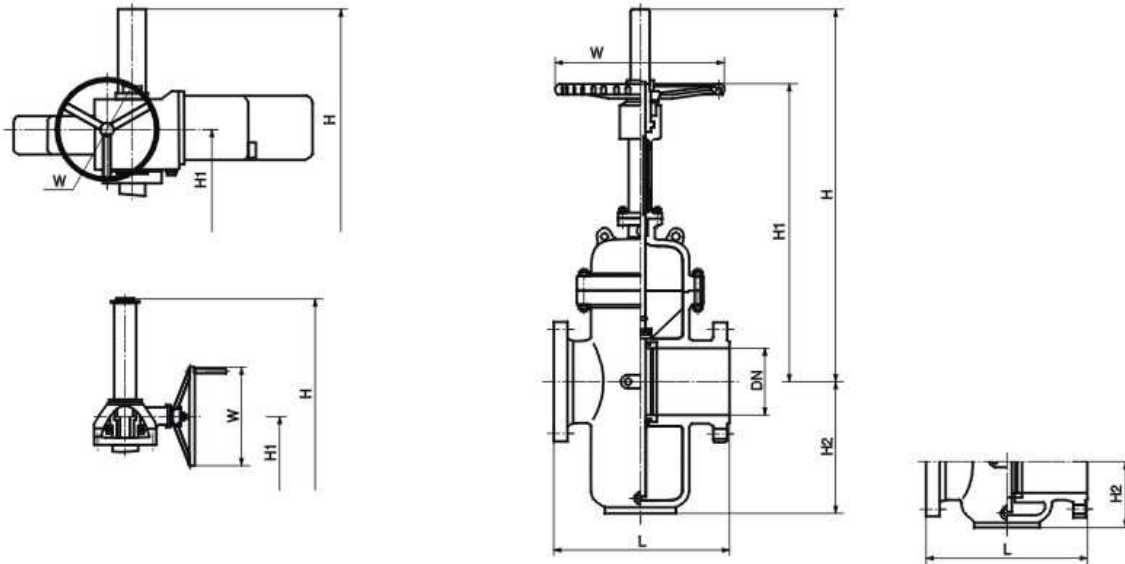
Diversion hole type

◆ Size

Size		Flange	Butt welding	Class 150 Hand-operated			Class 150 Geared driving			Gear device
NPS	DN	L	L1	H	H1	W	H	H1	W	
2	50	178	216	475	360	250	-	-	-	-
2 1/2	65	190	241	535	425	300	-	-	-	-
3	80	203	283	600	460	300	-	-	-	-
4	100	229	305	700	535	350	-	-	-	-
6	150	267	403	910	685	350	-	-	-	-
8	200	292	419	1095	815	350	1235	900	BA-0	305
10	250	330	457	1370	965	450	1510	1050	BA-0	305
12	300	356	502	1470	1100	500	1610	1185	BA-0	305
14	350	381	572	1730	1250	600	1890	1345	BA-1	458
16	400	406	610	1870	1375	650	2030	1470	BA-1	458
18	450	432	660	2185	1485	700	2415	1625	BA-2	458
20	500	457	711	2335	1575	800	2565	1715	BA-2	458
24	600	508	813	2815	1995	1000	3045	2135	BA-2	458
28	700	610	914	-	-	-	-	-	-	-
32	800	660	965	-	-	-	-	-	-	-
36	900	711	1016	-	-	-	-	-	-	-

Size		Flange	Butt welding	Class 300 Hand-Operated			Class 300 Geared driving			Gear device
NPS	DN	L	L1	H	H1	W	H	H1	W	
2	50	216	216	475	360	250	-	-	-	-
2 1/2	65	241	241	535	425	300	-	-	-	-
3	80	283	283	600	460	300	-	-	-	-
4	100	305	305	700	535	350	-	-	-	-
6	150	403	403	910	685	350	-	-	-	-
8	200	419	419	1095	815	350	1235	900	305	BA-0
10	250	457	457	1370	965	450	1510	1050	305	BA-0
12	300	502	502	1470	1100	500	1610	1185	305	BA-0
14	350	762	762	1730	1250	600	1890	1345	458	BA-1
16	400	838	838	1870	1375	650	2030	1470	458	BA-1
18	450	914	914	2185	1485	700	2415	1625	458	BA-2
20	500	991	991	2335	1575	800	2565	1715	458	BA-2
24	600	1143	1143	2815	1995	1000	3045	2135	458	BA-2
28	700	1346	1346	-	-	-	-	-	-	-
32	800	1524	1524	-	-	-	-	-	-	-
36	900	1727	1727	-	-	-	-	-	-	-

Through Conduit Gate Valve



◆ Size

Size		Flange	Butt welding	Class 600 Hand-Operated			Geared driving			Gear device
NPS	DN	L	L1	H	H1	W	H	H1	W	
2	50	292	292	499	378	300	-	-	-	-
2 1/2	65	330	330	562	446	350	-	-	-	-
3	80	356	356	630	483	350	-	-	-	-
4	100	432	432	735	562	400	-	-	-	BA-0
6	150	559	559	956	720	500	1096	805	305	BA-0
8	200	660	660	1150	856	600	1290	941	305	BA-0
10	250	787	787	1439	1013	650	1580	1098	458	BA-1
12	300	838	838	1545	1155	700	1705	1250	458	BA-1
14	350	889	889	1817	1313	800	1977	1408	458	BA-1
16	400	991	991	1965	1445	1000	2125	1540	458	BA-2
18	450	1092	1092	-	-	-	2525	1700	458	BA-2
20	500	1194	1194	-	-	-	2682	1795	458	BA-2
24	600	1397	1397	-	-	-	-	-	-	-
28	700	1549	1549	-	-	-	-	-	-	-
32	800	1778	1778	-	-	-	-	-	-	-
36	900	2083	2083	-	-	-	-	-	-	-

Size		Flange	Butt welding	Class 900 Hand-Operated			Geared driving			Gear device
NPS	DN	L	L1	H	H1	W	H	H1	W	
2	50	368	368	550	416	350	-	-	-	-
2 1/2	65	419	419	618	491	400	-	-	-	-
3	80	381	381	693	531	500	833	616	305	BA-0
4	100	475	457	810	618	600	950	703	305	BA-0
6	150	610	610	1052	791	650	1212	886	458	BA-1
8	200	737	737	1263	942	700	1423	1037	458	BA-1
10	250	838	838	1583	1136	800	1813	1278	458	BA-2
12	300	965	965	1698	1271	1000	1928	1411	458	BA-2
14	350	1029	1029	-	-	-	2230	1585	458	BA-2
16	400	1130	1130	-	-	-	-	-	-	-
18	450	1219	1219	-	-	-	-	-	-	-
20	500	1321	1321	-	-	-	-	-	-	-
24	600	1549	1549	-	-	-	-	-	-	-
28	700	1905	1905	-	-	-	-	-	-	-

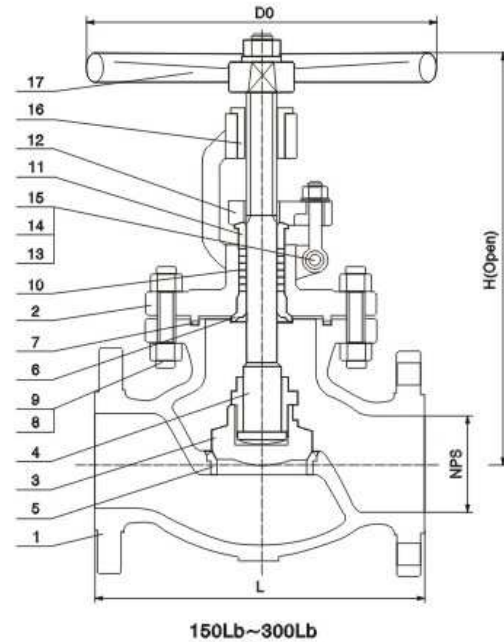
Cast Steel Globe Valve (Bolted Bonnet)

◆ Feature

Size: 2"~20"
 Class: 150LB~2500LB
 Body Material: Cast Carbon Steel, Cast Alloy Steel, Cast Stainless Steel,
 Duplex Steel, etc.
 Trim: API600
 OS&Y, Rising Stem
 Bolted bonnet
 Conic Disc
 Locking Device (On Request)
 Extended Bonnet for Cryogenic Service (On Request)

◆ Specification

Design: BS1873, ASME B16.34
 Face to Face: ASME B16.10
 End Flange: ASME B16.5
 BW Ends: ASME B16.25
 Test: API598
 Special: NACE MR-01-75



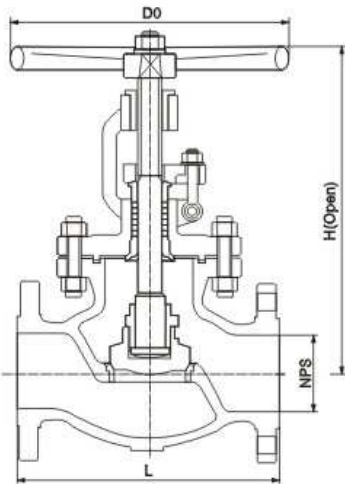
◆ Material List

NO .	Part name	ASTM Material			
1	Body	A216-WCB	A217-WC6	A352-LCB	A351 CF8
2	Bonnet	A216-WCB	A217-WC6	A352-LCB	A351 CF8
3	Disc	A105+CR13	A182-11+HF	A350-LF2+CR13	A182-F304
4	Stem	A182-F6a	A182-F6a	A182-F6a	A182-F304
5	Seat ring	A105+HF	A182-F11+HF	A350-LF2+HF	/
6	Stem backseat	A276-420	A276-304	A276-420	/
7	Bonnet gasket	Spiral wound(Graphite+304)			
8	Bonnet stud	A193-B7	A193-B16	A320-L7	A193-B8
9	Bonnet stud nut	A194-2H	A194-4	A194-7	A194-8
10	Packing	Graphite			
11	Gland	A276-420	A276-304	A276-420	A276-304
12	Gland flange	A216-WCB	A217-WC6	A352-LCB	A351 CF8
13	Eyebolt pin	Carbon steel	A276-420	Carbon steel	Carbon steel
14	Eyebolt	A193-B7	A193-B16	A320-L7	A193-B8
15	Eyebolt nut	A194-2H	A194-4	A194-7	A194-8
16	Yokesleeve	A439-D2/Aluminum-Bronze			
17	Handwheel	Malleable cast Iron			

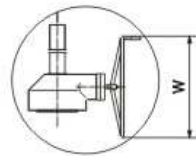
Note:

- 1). A Ductile NI-resist optional;
- 2). Disc and seat ring may either be solid facing material or a base material equal to or better than the body/bonnet material with facing as shown.

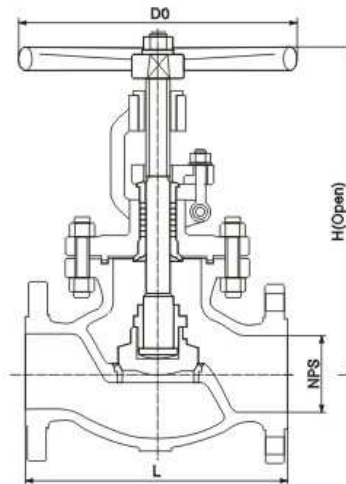
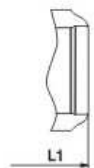
Cast Steel Globe Valve (Bolted Bonnet)



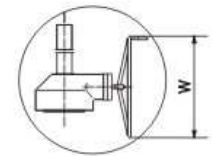
Class 150~Class 300



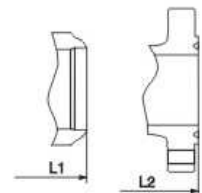
Gear Standard for 16" & Larger



Class 600~Class 900



Gear Standard for 10" & Larger



Size

		Class 150										
Size	NPS	2	2 1/2	3	4	6	8	10	12	14	16	18
L/L1 (RF/BW)	DN	50	65	80	100	150	200	250	300	350	400	450
	in	8.00	8.50	9.50	11.50	16.00	19.50	24.50	27.50	31.00	36.00	38.50
H (Open)	mm	203	216	241	292	406	495	622	698	787	914	978
	in	13.58	14.8	15.94	19.09	20.47	23.62	30.00	33.94	38.58	47.05	51.18
D0	mm	345	375	405	485	520	600	762	862	980	1195	1300
	in	8	8	10	12	14	18	20	25	25	24	24
	mm	200	200	250	300	350	450	500	640	640	610	610
	in											

		Class 300										
Size	NPS	2	2 1/2	3	4	6	8	10	12	14	16	
L/L1 (RF/BW)	DN	50	65	80	100	150	200	250	300	350	400	
	in	10.50	11.50	12.50	14.00	17.50	22.00	24.50	28.00	33.00	34	
H (Open)	mm	267	292	318	356	445	559	622	711	838	864	
	in	14.57	18.66	17.32	20.67	24.41	35.83	37.36	40.63	42.91	51.5	
D0	mm	370	474	440	525	620	910	949	1032	1090	1310	
	in	8	10	10	14	18	22	24	25	24	24	
	mm	200	250	250	350	450	560	600	640	610	610	
	in											

		Class 600										
Size	NPS	2	2 1/2	3	4	6	8	10	12	14	16	
L/L1 (RF/BW)	DN	50	65	80	100	150	200	250	300	350	400	
	in	11.50	13.00	14.00	17.00	22.00	26.00	31.00	33.00	35	39	
L2 (RTJ)	mm	292	330	356	432	559	660	787	838	889	991	
	in	11.62	13.12	14.12	17.12	22.12	26.12	31.12	33.12	35.12	39.12	
H (Open)	mm	295	330	359	435	562	663	790	841	892	994	
	in	18.19	21.26	23.03	26.38	34.88	36.69	40.94	50.39	57	63	
D0	mm	462	540	585	670	886	932	1040	1280	1450	1600	
	in	10	10	12	18	20	25	24	24	30	30	
	mm	250	250	350	450	500	640	610	610	760	760	
	in											

		Class 900										
Size	NPS	2	2 1/2	3	4	6	8	10	12			
L/L1 (RF/BW)	DN	50	65	80	100	150	200	250	300			
	in	14.50	16.50	15.00	18.00	24.00	29.00	33.00	38			
L2 (RTJ)	mm	368	419	381	457	610	737	838	965			
	in	14.62	16.62	15.12	18.12	24.12	29.12	33.12	38.12			
H (Open)	mm	371	422	384	460	613	740	841	968			
	in	23.62	25.98	26.18	31.50	43.62	46.61	61.88	69			
D0	mm	600	660	665	800	1108	1184	1400	1755			
	in	14	14	18	20	24	24	24	32			
	mm	350	350	450	500	610	610	600	810			
	in											

Class 1500,2500 proposed structure of self-sealing, For flange connection with the company.

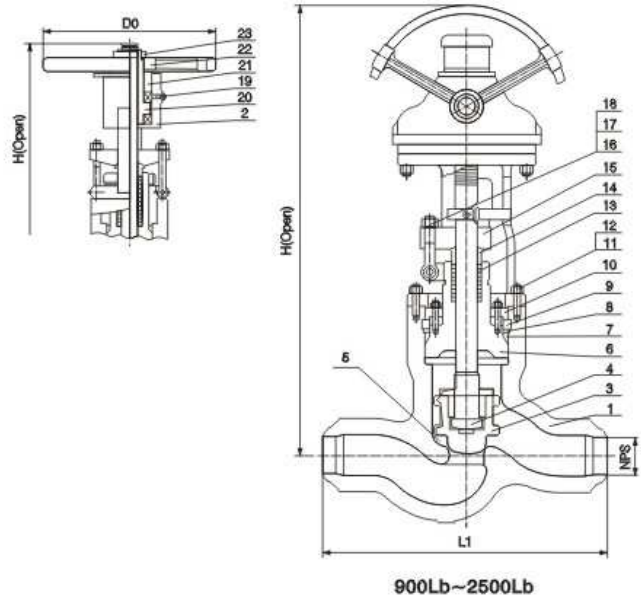
Cast Steel Globe Valve (Pressure Seal Bonnet)

◆ Feature

Size: 2"~8"
 Class: 900LB~2500LB
 Body Material: Cast Carbon Steel, Cast Alloy Steel, Cast Stainless Steel, Duplex Steel, etc.
 Trim: API600
 OS&Y, Rising Stem
 Pressure Seal
 Locking Device (On Request)

◆ Specification

Design: BS1873, ASME B16.34
 Face to Face: ASME B16.10
 End Flange: ASME B16.5
 BW Ends: ASME B16.25
 Test: API598
 Special: NACE MR-01-75



◆ Material List

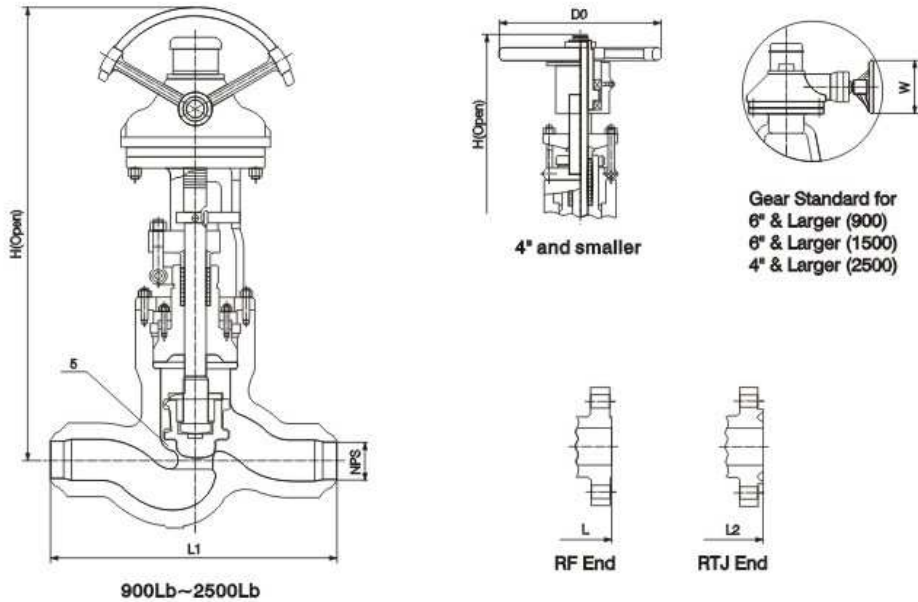
NO .	Part name	ASTM Material		
1	Body	A216-WCB	A217-WC6	A351-CF3M
2	Yoke	A216-WCB	A217-WC6	A351-CF3M
3	Disc	A216-WCB+HF	A217-WC6+HF	A351-CF8M+HF
4	Stem	A182-F6a	A182-F6a	A182-316L
5	Seat ring	A105+HF	A182-F11+HF	A240-316+HF
6	Bonnet	A216-WCB	A217-WC6	A351-CF3M
7	Bonnet gasket ¹⁾	Steel ring	304SS Ring	316SS Ring
8	Adapter ring	A276-410	A276-410	A276-316L
9	Retainer	A276-410	A276-410	A276-316L
10	Yake cap	A216-WCB	A217-WC6	A351-CF3M
11	Bonnet stud	A193-B7	A193-B16	A193-B8M
12	Bonnet stud nut	A194-2H	A194-4	A194-8M
13	Packing		Graphite	
14	Gland	A276-420	A276-304	A276-316L
15	Gland flange	A216-WCB	A217-WC6	A351-CF8M
16	Eyebolt pin	A276-420	A276-420	A276-316
17	Eyebolt	A193-B7	A193-B16	A193-B8M
18	Eyebolt nut	A194-2H	A194-4	A194-8M
19	Grease fitting		Brass+steel	
20	Yokesleeve		A439-D2/Aluminum-Bronze	
21	Yokesleeve jam nut		Carbon steel	
22	Handwheel		Malleable cast iron	
23	Handwheel nut		Carbon steel	

Note: 1). Graphite optional

2). Ductile Ni-resist optional

3). Wedge and seat ring may either be solid facing material or a base material equal to or better than the body/bonnet material with facing as shown.

Cast Steel Globe Valve (Pressure Seal Bonnet)



◆ Size

Class 900							
Size	NPS	2	2 1/2	3	4	6	8
		DN	50	65	80	100	150
L/L1 (RF/BW)	in	14.50	16.50	15.00	18.00	24.00	29.00
	mm	368	419	381	457	610	737
L2 (RTJ)	in	14.62	16.62	15.12	18.12	24.12	29.12
	mm	371	422	384	460	613	740
H (Open)	in	24.41	25.40	28.50	33.40	48.23	53.15
	mm	620	645	724	848	1225	1350
D0	in	14	14	18	20	24	24
	mm	350	350	450	500	610	610

Class 1500							
Size	NPS	2	2 1/2	3	4	6	8
		DN	50	65	80	100	150
L/L1 (RF/BW)	in	14.50	16.50	18.50	21.50	27.75	32.75
	mm	368	419	470	546	705	832
L2 (RTJ)	in	14.62	16.62	18.62	21.62	28.00	33.13
	mm	371	422	473	549	711	842
H (Open)	in	24.41	25.40	32.68	33.86	48.50	70.24
	mm	620	645	830	860	1232	1784
D0	in	14	14	20	22	24	24
	mm	350	350	500	550	610	610

Class 2500							
Size	NPS	2	2 1/2	3	4	6	8
		DN	50	65	80	100	150
L/L1 (RF/BW)	in	17.75	20.00	22.75	26.50	36.00	40.25
	mm	451	508	578	673	914	1022
L2 (RTJ)	in	17.87	20.25	23.00	26.88	36.50	40.87
	mm	454	514	584	683	927	1038
H (Open)	in	24.41	30.63	34.84	51.10	53.74	83.46
	mm	620	778	885	1298	1365	2120
D0	in	16	20	22	24	24	24
	mm	400	500	550	610	610	610

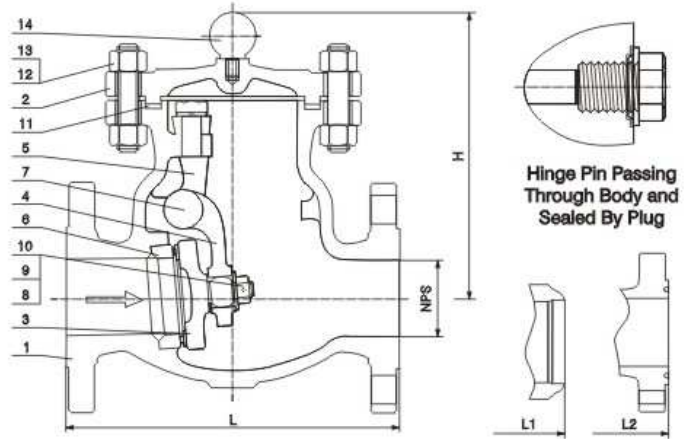
Cast Steel Swing Check Valve (Bolted Bonnet)

◆ Feature

Size: 2"~36"
 Class: 150LB~2500LB
 Body Material: Cast Carbon Steel, Cast Alloy Steel,
 Cast Stainless Steel, Duplex Steel, etc.
 Trim: API600
 Bolted Cover
 Swing Disc Type
 Internal or External Hinge Pin
 Counter Weight (On Request)

◆ Specification

Design: BS1868, ASME B16.34
 Face to Face: ASME B16.10
 End Flange: ASME B16.5, ASME B16.47
 BW Ends: ASME B16.25
 Test: API598
 Special: NACE MR-01-75



Class 150~Class 600

◆ Material List

NO .	Part name	ASTM Material		
1	Body	A216-WCB	A217-WC6	A352-LCB
2	Bonnet	A216-WCB	A217-WC6	A352-LCB
3	Disc ¹⁾	A216-WCB+CR13	A217-WC6+HF	A352-LCB+CR13
4	Hinge	A216-WCB	A217-WC6	A352-LCB
5	Support	A216-WCB	A217-WC6	A352-LCB
6	Seat ring	A105+CR13	A182-F11+HF	A350-LF2+CR13
7	Hinge pin	A276-420	A276-304	A276-420
8	Disc washer	Carbon steel	A276-304	Carbon steel
9	Disc nut	Carbon steel	A194-4	Carbon steel
10	Disc nut pin	304	304	304
11	Bonnet gasket	Spiral wound (Graphite+304)		
12	Bonnet stud	A193-B7	A193-B16	A320-L7
13	Bonnet stud nut	A194-2H	A194-4	A194-7
14	Eyebolt ²⁾	Carbon steel		

Note: 1). Spiral wound construction, teflon optional.

2). NPS 6" & Larger.

3). Disc and seat (Integral with body) may either be solid facing material or a base material equal to or better than the body/bonnet material with facing as shown.

Cast Steel Swing Check Valve (Bolted Bonnet)

◆ Size

Class 150																
Size	NPS	2	2.5	3	4	6	8	10	12	14	16	18	20	24	30	36
	DN	50	65	80	100	150	200	250	300	350	400	450	500	600	750	900
L/L1 (RF/BW)	in	8.00	8.50	9.50	11.50	14.00	19.50	24.50	27.50	31.00	36.00	38.50	38.50	51.00	60.00	77.00
	mm	203	216	241	292	356	495	622	699	787	914	978	978	1295	1524	1956
H	in	6.10	6.70	7.09	8.66	10.55	12.20	14.57	16.73	18.70	20.67	22.83	24.72	34.72	38.27	48.00
	mm	155	170	180	220	268	310	370	425	475	525	580	628	882	972	1220

Class 300														
Size	NPS	2	2.5	3	4	6	8	10	12	14	16	18	20	24
	DN	50	65	80	100	150	200	250	300	350	400	450	500	600
L/L1 (RF/BW)	in	10.50	11.50	12.50	14.00	17.50	21.00	24.50	28.00	33.00	34.00	38.50	40.00	53.00
	mm	267	292	318	356	445	533	622	711	838	864	978	1016	1346
H	in	6.89	7.28	7.80	9.25	11.10	13.19	15.15	18.1	20.47	21.81	23.62	26.38	29.53
	mm	175	185	198	235	282	335	385	460	520	554	600	670	750

Class 600														
Size	NPS	2	2.5	3	4	6	8	10	12	14	16	18	20	24
	DN	50	65	80	100	150	200	250	300	350	400	450	500	600
L/L1 (RF/BW)	in	11.50	13.00	14.00	17.00	22.00	26.00	31.00	33.00	35.00	39.00	43.00	47.00	55.00
	mm	292	330	356	432	559	660	787	838	889	991	1092	1194	1397
L2	in	11.62	13.12	14.12	17.12	22.12	26.12	31.12	33.12	35.12	39.12	43.12	47.25	55.38
	mm	295	333	359	435	562	663	790	841	892	994	1095	1200	1407
H	in	7.16	7.87	8.94	10.24	12.80	15.35	19.29	20.79	22.56	25.98	28.35	29.37	37.80
	mm	182	200	227	260	325	390	490	528	572	660	720	746	960

CLASS 900 and above proposed structure of self-sealing, flange connection. For more information contact with us.

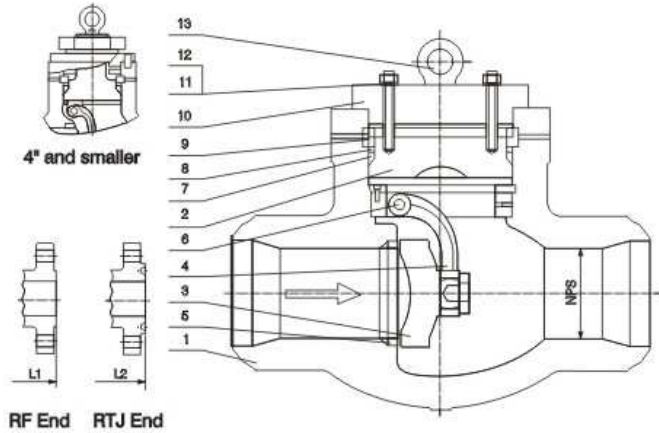
Cast Steel Swing Check Valve (Bolted Bonnet)

◆ Feature

Size: 2"~12"
 Class: 150LB~2500LB
 Body Material: Cast Carbon Steel, Cast Alloy Steel,
 Cast Stainless Steel, Duplex Steel, etc.
 Trim: API600
 Bolted Cover
 Swing Disc Type
 Internal or External Hinge Pin
 Counter Weight (On Request)

◆ Specification

Design: BS1868, ASME B16.34
 Face to Face: ASME B16.10
 End Flange: ASME B16.5, ASME B16.47
 BW Ends: ASME B16.25
 Test: API598
 Special: NACE MR-01-75



Class 900~Class 2500

◆ Material List

NO .	Part name	ASTM Material		
1	Body	A216-WCB	A217-WC6	A351-CF3M
2	Bonnet/cap	A216-WCB	A217-WC6	A351-CF3M
3	Disc	A105+HF	A182-F11+HF	A351-CF8M+HF
4	Hinge	A216-WCB	A217-WC6	A351-CF8M
5	Seat ring	A105+HF	A182-F11+HF	A240-316+HF
6	Hinge pin	A276-420	A276-304	A276-316
7	Bonnet gasket1)	Steel ring	A304SS Ring	A316SS Ring
8	Adapter ring	Carbon steel	A276-420	A276-316
9	Retainer	Carbon steel	A276-420	A276-316
10	Bonnet clamp	Carbon steel	Alloy steel	Stainless steel
11	Bonnet stud	A193-B7	A193-B16	A193-B8M
12	Bonnet stud nut	A194-2H	A194-4	A194-8M
13	Eyebolt		Carbon steel	

Note: 1). Graphite optional

2). Disc and seat ring may either be solid facing material or a base material equal to or better than the body/bonnet material with facing as shown.

Cast Steel Swing Check Valve (Bolted Bonnet)

◆ Size

Class 900									
Size	NPS	2	2 ¹ / ₂	3	4	6	8	10	12
	DN	50	65	80	100	150	200	250	300
L/L1 (RF/BW)	in	14.50	16.50	15.00	18.00	24.00	29.00	33.00	38.00
	mm	368	419	381	457	610	737	838	965
L2 (RTJ)	in	14.62	16.62	15.12	18.12	24.12	29.12	33.12	38.12
	mm	371	422	384	460	613	740	841	968
H	in	11.65	11.81	11.81	12.87	17.36	19.76	26.14	30.51
	mm	296	300	300	327	441	502	664	775

Class 1500									
Size	NPS	2	2 ¹ / ₂	3	4	6	8	10	12
	DN	50	65	80	100	150	200	250	300
L/L1 (RF/BW)	in	14.50	16.50	18.50	21.50	27.75	32.75	39.00	44.50
	mm	368	419	470	546	705	832	991	1130
L2 (RTJ)	in	14.62	16.62	18.62	21.62	28.00	33.13	39.38	45.12
	mm	371	422	473	549	711	841	1000	1146
H	in	11.65	11.81	13.43	16.22	20.12	26.77	29.76	33.74
	mm	296	300	341	412	511	680	756	857

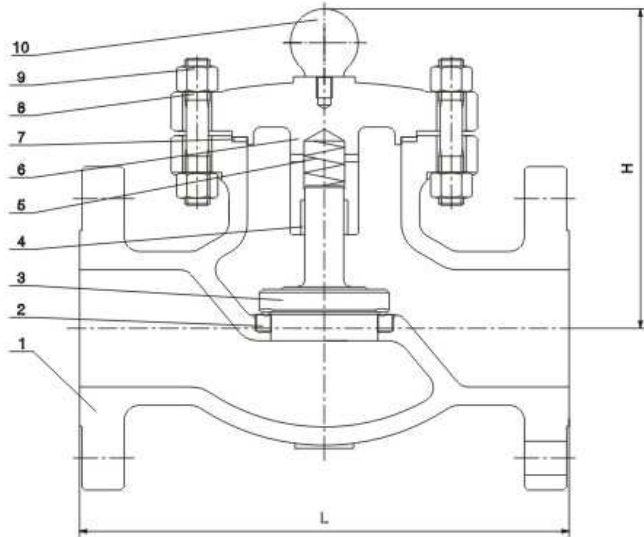
Class 2500									
Size	NPS	2	2 ¹ / ₂	3	4	6	8	10	12
	DN	50	65	80	100	150	200	250	300
L/L1 (RF/BW)	in	17.75	20.00	22.75	26.50	36.00	40.25	50.00	56.00
	mm	451	508	578	673	914	1022	1270	1422
L2 (RTJ)	in	17.87	20.25	23.00	26.88	36.50	40.87	50.88	56.88
	mm	454	514	584	683	927	1038	1292	1445
H	in	16.38	16.50	17.36	18.86	20.12	27.99	33.50	39.37
	mm	416	419	441	479	511	711	851	1000

◆ Feature

Size: 2"~12"
 Class: 150LB~2500LB
 Body Material: Cast Carbon Steel, Cast Alloy Steel,
 Cast Stainless Steel, Duplex Steel, etc.
 Trim: API600
 Bolted Cover
 Swing Disc Type
 Internal or External Hinge Pin
 Counter Weight (On Request)

◆ Specification

Design: BS1868, ASME B16.34
 Face to Face: ASME B16.10
 End Flange: ASME B16.5, ASME B16.47
 BW Ends: ASME B16.25
 Test: API598
 Special: NACE MR-01-75



Class 150~Class 900

◆ Material List

NO .	Part name	ASTM Material		
1	Body	A216-WCB	A217-WC6	A352-LCB
2	Seat ring	A216-WCB/CR13	A217-WC6+HF	A352-LCB+CR13
3	Disc ¹⁾	A216-WCB+CR13	A217-WC6+HF	A352-LCB+CR13
4	Hinge	304	304	304
5	Spring	304	304	304
6	Bonnet	A216-WCB	A217-WC6	A352-LCB
7	Gasket	Spiral wound (Graphite+304)		
8	Bonnet gasket	A193-B7	A193-B16	A320-L7
9	Bonnet stud	A194-2H	A194-4	A194-7
10	Eyebolt ²⁾	Carbon steel		

Note: 1). Spiral wound construction, teflon optional.

2). NPS 6" & Larger.

3). Disc and seat (Integral with body) may either be solid facing material or a base material equal to or better than the body/bonnet material with facing as shown.

Cast Steel Lift Check Valve

◆ Size

Class 150										
Size	NPS	2	2 1/2	3	4	5	6	8	10	12
	DN	50	65	80	100	125	150	200	250	300
L	RF	203	216	241	292	356	406	495	622	699
	BW	203	216	241	292	356	406	495	622	699
d	in	51	64	76	102	127	152	203	254	305
H	mm	140	162	168	194	210	226	250	275	332

Class 300										
Size	NPS	2	2 1/2	3	4	5	6	8	10	12
	DN	50	65	80	100	125	150	200	250	300
L	RF	267	292	318	356	400	445	559	622	711
	BW	267	292	318	356	400	445	559	622	711
d	in	51	64	76	102	127	152	203	254	305
H	mm	140	164	178	195	223	245	280	336	380

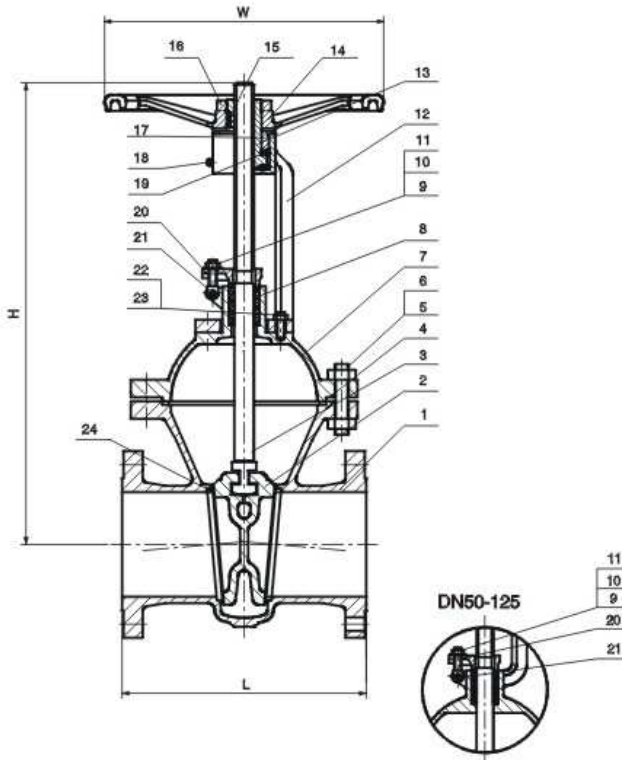
Class 600									
Size	NPS	2	2 1/2	3	4	5	6	8	
	DN	50	65	80	100	125	150	200	
L	RF	292	330	356	432	508	559	660	
	BW	292	330	356	432	508	559	660	
d	in	51	64	76	102	127	152	200	
H	mm	152	167	178	215	240	279	328	

Class 900									
Size	NPS	2	2 1/2	3	4	5	6	8	
	DN	50	65	80	100	125	150	200	
L	RF	368	419	381	457	559	610	737	
	BW	368	419	381	457	559	610	737	
d	in	47	57	73	98	121	146	190	
H	mm	180	200	235	270	300	350	400	

DIN CAST STEEL VALVE SERIES



DIN Gate Valve



◆ Part & Material List

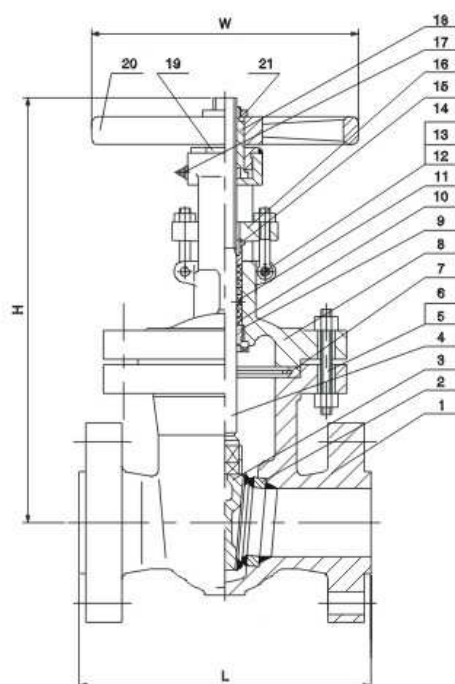
ITEM	PART NAME	MATERIAL
1	Body	GS-C25N
2	Wedge Disc	GS-C25N+ER410
3	Stem	410
4	Gasket	304+Graphite
5	Stud Bolt	24CRMO5
6	Nut	CK35
7	Bonnet	GS-C25N
8	Gland Packing	Graphite
9	Stud Bolt	24CRMO5
10	Nut	CK35
11	Washer	C1020
12	Yoke	GS-C25N
13	Yoke Sleeve	Gr.60-40-18
14	Hand Wheel	Gr.60-40-18
15	Key	C1045
16	Lock Nut	C1035
17	Bonnet Nut	C1035
18	Gasket Nipple	C1020
19	Roll Axletree	Axletree Steel
20	Gland Forging	GS-C25N
21	Pin	C1035
22	Stud Bolt	24CRMO5
23	Nut	CK35
24	Seat RING	C22.8+ER410

◆ Note

1. Face to face: DIN3202
 2. End Flange: DIN 2543/2544/2545/2546
 3. Body: GS-C25, GS-CK24, GS-17CrMo55, GS-12CrMo195, G-X6CrNi189, G-X6CrNiMo1810, etc.
- * Available with Gear Operator and Automatic Special according to Customer's requirement.

◆ Size

SIZE	F5						F7					
	PN16			PN25			PN40			PN64		
DN	L	H≈	W	L	H≈	W	L	H≈	W	L	H≈	W
15	-	-	-	-	-	-	-	-	-	-	-	-
20	-	-	-	-	-	-	-	-	-	-	-	-
25	120	305	160	120	305	160	-	-	-	-	-	-
32	140	320	180	140	320	180	-	-	-	-	-	-
40	240	365	200	240	365	200	240	365	200	240	360	200
50	250	410	200	250	460	200	250	438	280	250	438	280
65	270	450	200	270	500	200	290	473	280	290	473	280
80	280	515	250	280	540	250	310	550	320	310	550	320
100	300	615	300	300	640	300	350	669	360	350	669	360
125	325	756	300	325	780	300	400	776	400	400	772	400
150	350	810	300	350	870	300	450	883	400	450	893	450
200	400	1010	350	400	1045	350	550	1086	450	550	1100	460
250	450	1190	400	450	1240	400	650	1298	560	650	1332	640
300	500	1370	450	500	1245	450	750	1531	640	750	1550	640
350	550	1540	500	550	1585	500	850	1603	610	850	1662	610
400	600	1750	550	600	1760	550	950	1795	610	950	1884	610
450	650	1892	600	650	1910	600	-	-	-	-	-	-
500	700	2119	680	700	2140	680	1150	2196	610	1150	2230	610
600	800	2500	760	800	2550	760	1350	2633	610	1350	2642	800



◆ Part & Material List

ITEM	PART NAME	MATERIAL
1	Body	1.0619
2	Seat ring	C22.8/1.5415+STELLITE
3	Wedge Disc	1.0619+STELLITE
4	Stem	1.4006
5	Stud Bolt	G
6	Nut	YK
7	Gasket	1.4301+GRAPHITE
8	Bonnet	1.0619
9	Back seat	1.4006
10	Gland packing	GRAPHITE
11	Jacket	1.4006
12	Stud bolt	G
13	Nut	YK
14	Pin	1.0501
15	GLAND FOLLOWER	1.4006
16	GLAND FORGING	1.0619
17	GREASE NIPPLE	1.0402
18	YOKE SLEEVE	GGG40
19	Bonnet nut	1.0501
20	Hand wheel	GGG40
21	Lock nut	1.0501

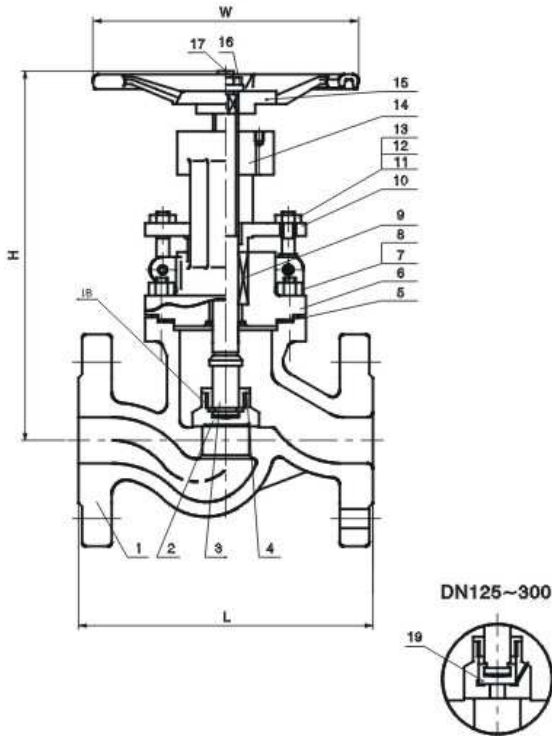
◆ Note

1. Face to face: DIN3202
 2. End Flange: DIN 2543/2544/2545/2546
 3. Body: GS-C25, GS-CK24, GS-17CrMo55, GS-12CrMo195, G-X6CrNi189, G-X6CrNiMo1810, etc.
- * Available with Gear Operator and Automatic Special according to Customer's requirement.

◆ Size

SIZE	F7			F8		
	PN100			PN160		
DN	L	H≈	W	L	H≈	W
15	-	-	-	-	-	-
20	-	-	-	-	-	-
25	-	-	-	-	-	-
32	-	-	-	-	-	-
40	240	360	320	270	395	320
50	250	558	360	300	612	360
65	290	622	400	360	677	360
80	310	671	400	390	686	400
100	350	671	400	450	751	450
125	400	892	560	525	868	560
150	450	972	560	600	997	640
200	550	972	560	750	1224	720
250	650	1278	600	900	1397	600
300	750	1340	600	1050	1660	600
350	850	1689	600	1200	1850	600
400	950	1884	600	1350	1930	600

DIN Globe Valve



DN125~300

Medium flow direction:
from up hole to down hole

Part & Material List

ITEM	PART NAME	MATERIAL
1	Body	1.0619
2	Disc	1.4006
3	Stem	1.4006
4	Disc Gland	1.4006
5	Gasket	1.4301+Graphite
6	Bonnet	1.0619
7	Stud Bolt	G
8	Nut	YK
9	Gland Packing	Graphite
10	Gland Forging	1.0619
11	Stud Bolt	G
12	Nut	YK
13	Pin	1.0501
14	Yoke Sleeve	GGG40
15	Hand Wheel	GGG40
16	Washer	1.0501
17	Lock Nut	1.0503
18	Ring	1.4006
19	Inter Disc	1.4006

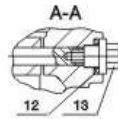
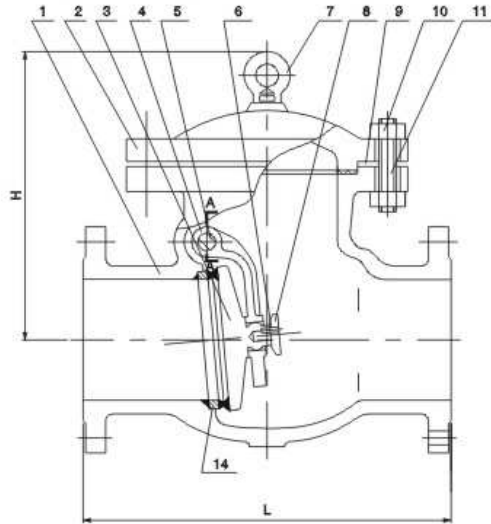
Note

1. Face to face: DIN3202
 2. End Flange: DIN 2543/2544/2545/2546
 3. Body: GS-C25, GS-CK24, GS-17CrMo55, GS-12CrMo195, G-X6CrNi189, G-X6CrNiMo1810, etc.
- * Available with Gear Operator and Automatic Special according to Customer's requirement.

Size

SIZE	DIN 3202 F1									DIN 3202 F2					
	PN16			PN25			PN40			PN64			PN100		
DN	L	H \approx	W	L	H \approx	W	L	H \approx	W	L	H \approx	W	L	H \approx	W
15	130	118	120	130	230	120	130	241	120	210	210	140	210	220	140
20	150	118	140	150	275	140	150	285	140	230	248	160	230	259	160
25	160	146	160	160	295	160	160	300	160	230	275	180	230	300	180
32	180	171	180	180	335	180	180	327	160	260	355	200	260	370	200
40	200	187	200	200	380	200	200	385	200	260	395	240	260	400	240
50	230	200	200	230	398	200	230	391	240	300	450	280	300	470	280
65	290	231	250	290	433	250	290	433	280	340	494	320	340	520	320
80	310	381	250	310	468	250	310	468	320	380	531	360	380	550	400
100	350	428	300	350	520	300	350	520	360	430	588	400	430	635	450
125	400	486	350	400	608	350	400	608	400	500	652	450	500	703	500
150	480	566	350	480	692	350	480	692	400	550	736	450	550	789	550
200	600	648	400	600	806	400	600	830	600	650	818	500	650	845	650
250	730	738	500	730	850	600									
300	850	862	500	850	930	600									

◆ Part & Material List



ITEM	PART NAME	MATERIAL
1	Body	1.0619
2	Bonnet	1.0619
3	Disc	1.0619+STELLITE
4	Rocker	1.0619
5	Hinge pin	1.4006
6	Bolt	1.4301
7	Bolt	1.0501
8	Disc gland	1.4301
9	Gasket	1.4301+GRAPHITE
10	Stud bolt	G
11	Nut	YK
12	Hinge pin plug	1.4404
13	Bolt stopper	1.4301
14	Seat ring	C22.8+STELLITE

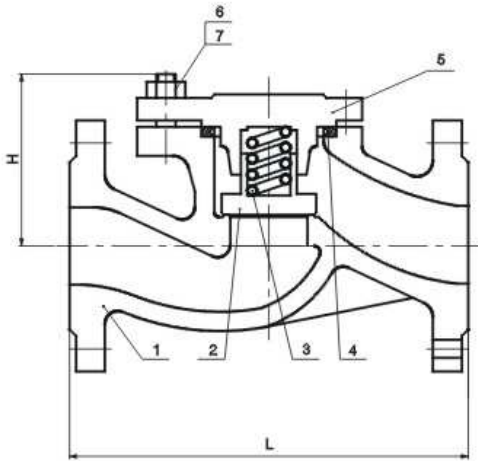
◆ Note

1. Face to face: DIN3202
 2. End Flange: DIN 2543/2544/2545/2546
 3. Body: GS-C25, GS-CK24, GS-17CrMo55, GS-12CrMo195, G-X6CrNi189, G-X6CrNiMo1810, etc.
- * Available with Gear Operator and Automatic Special according to Customer's requirement.

◆ Size

SIZE	DIN 3202 F1				DIN 3202 F2			
	PN16, 25		PN40		PN64		PN100	
DN	L	H≈	L	H≈	L	H≈	L	H≈
50	230	170	230	170	300	170	300	190
65	290	175	290	175	340	185	340	210
80	310	185	310	185	380	230	380	230
100	350	205	350	205	430	260	430	260
125	400	240	400	240	500	300	500	310
150	480	340	480	340	550	360	550	350
200	550(F7)	400	550(F7)	400	650	420	650	425
250	650(F7)	410	650(F7)	410	775	480	775	460
300	750(F7)	500	750(F7)	500	900	515	900	515
350	850(F7)	515	850(F7)	515	1025	540	1025	580
400	950(F7)	530	950(F7)	530	1150	550	1150	620

DIN Piston Check Valve



◆ Part & Material List

ITEM	PART NAME	MATERIAL
1	Body	1.0619+1.4006
2	Disc	1.4006
3	Spring	1.4301
4	Gasket	1.4301+Graphite
5	Bonnet	1.0619
6	Stud Bolt	
7	Nut	YK

◆ Note

1. Face to face: DIN3202
2. End Flange: DIN 2543/2544/2545/2546
3. Body: GS-C25、GS-CK24、GS-17CrMo55、GS-12CrMo195、G-X6CrNi189、G-X6CrNiMo1810, etc.

◆ Size

SIZE	DIN 3202 F1				DIN 3202 F2			
	PN16、25		PN40		PN64		PN100	
DN	L	H≈	L	H≈	L	H≈	L	H≈
15	130	77	130	77	210	80	210	100
20	150	77	150	77	230	110	230	110
25	160	80	160	80	230	125	230	125
32	180	85	180	85	260	152	260	140
40	200	136	200	136	260	165	260	170
50	230	153	230	153	300	170	300	185
65	290	165	290	165	340	190	340	200
80	310	170	310	170	380	205	380	235
100	350	200	350	200	430	230	430	265
125	400	255	400	250	500	260	500	290
150	480	270	480	270	550	290	550	315
200	600	395	600	395	650	345	650	370

FORGED STEEL VALVE SERIES



NPT And SW Gate Valves

◆ Feature

Description(Feature,product range)

Size:1/2"~2"

Class:150LB~2500LB

Body Material:A105N,LF2,F11/F22,F5/F9,F304,F316,F304L,
F316L,F321,F347,MONEL,etc.

Trim:API600

End connection: SW, NPT, BW, RF, RTJ

Full Die Forged Body

Bolted or Welded or Pressure Seal Bonnet

Solid Wedge

Integral flange

Full or Reduce Port

Cryogenic Service Optional

◆ Specification

Design:API602,ASME B16.34

Face to Face: Factory Standard

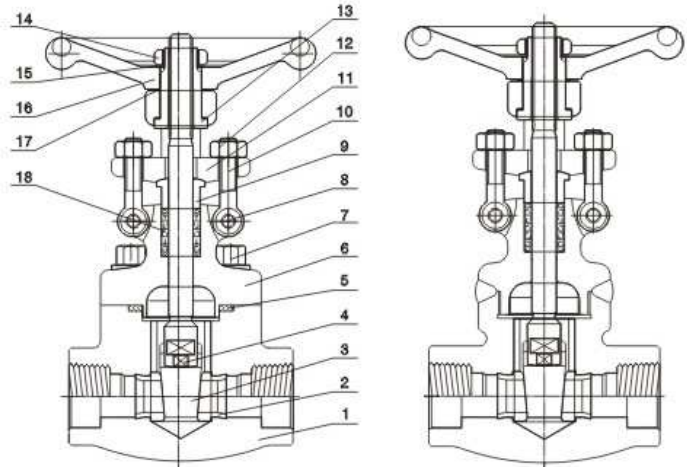
End Flange:ASME B16.5,

SW end: ANSI B16.11

NPT end: ANSI B1.20.1

Test:API598

Special:NACE MR-01-75



◆ Material List

No.	Part name	A105/F6a	A105/F6a+HF	LF2/304	F11/F6a+HF	F304(L)/304(L)	F316(L)/316(L)	F51/F51
1	Body	A105	A105	LF2	F11	F304(L)	F316(L)	F51
2	Seat	410	410+HF	304	410+HF	304(L)	316(L)	F51
3	Wedge	F6a	F6a	F304	F6a+HF	F304(L)	F316(L)	F51
4	Stem	410	410	304	410	304(L)	316(L)	F51
5	Gasket	Flexible graphite	Flexible graphite	Flexible graphite	Flexible graphite	Flexible graphite	Flexible graphite	Flexible graphite
6	Bonnet	A105	A105	LF2	F11	F304(L)	F316(L)	F51
7	Bolt	B7	B7	L7	B16	B8(M)	B8(M)	B8M
8	Pin	410	410	410	410	304	304	304
9	Gland	410	410	304	410	304	316	F51
10	Gland eyebolt	B7	B7	L7	B16	B8(M)	B8(M)	B8M
11	Gland flange	A105	A105	LF2	F11	F304	F304	F304
12	Hex nut	2H	2H	4	4	8(M)	8(M)	8M
13	Stem nut	410	410	410	410	410	410	410
14	Locking nut	35	35	35	35	35	35	35
15	Nameplate	AL	AL	AL	AL	AL	AL	AL
16	Handwheel	A197	A197	A197	A197	A197	A197	A197
17	Lubricating gasket	410	410	410	410	410	410	410
18	Packing	Packing	Packing	Packing	Packing	Packing	Packing	Packing

◆ Feature

Description(Feature,product range)

Size:1/2"~2"

Class:150LB~2500LB

Body Material:A105N,LF2,F11/F22,F5/F9,F304,F316,F304L,
F316L,F321,F347,MONEL,etc.

Trim:API600

End connection: SW, NPT, BW, RF, RTJ

Full Die Forged Body

Bolted or Welded or Pressure Seal Bonnet

Solid Wedge

Integral flange

Full or Reduce Port

Cryogenic Service Optional

◆ Specification

Design:API602,ASME B16.34

Face to Face: Factory Standard

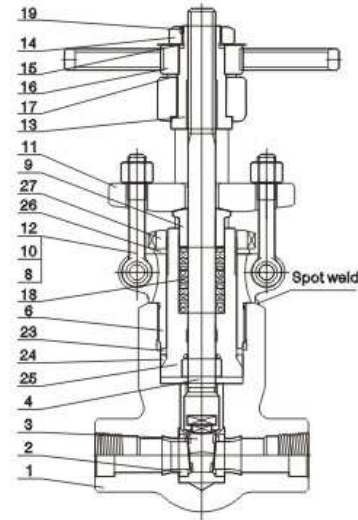
End Flange:ASME B16.5,

SW end: ANSI B16.11

NPT end: ANSI B1.20.1

Test:API598

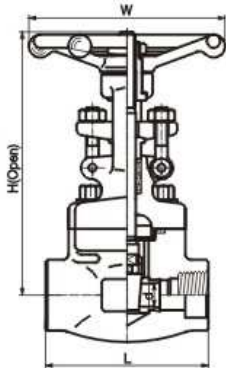
Special:NACE MR-01-75



◆ Material List

No.	Part name	A105/F6a	A105/F6a+HF	LF2/304	F11/F6a+HF	F304(L)/304(L)	F316(L)/316(L)	F91/410+HF
1	Body	A105	A105	LF2	F11	F304(L)	F316(L)	F91
2	Seat	410	410+HF	304	410+HF	304(L)	316(L)	410+HF
3	Wedge	F6a	F6a	F304	F6a+HF	F304(L)	F316(L)	F6a+HF
4	Stem	410	410	304	410	304(L)	316(L)	410
6	Bonnet	A105	A105	LF2	F11	F304(L)	F316(L)	F91
8	Pin	410	410	410	410	304	304	410
9	Gland	410	410	304	410	304	316	410
10	Gland eyebolt	B7	B7	L7	B16	B8(M)	B8(M)	B8
11	Gland flange	A105	A105	LF2	F11	F304	F304	F91
12	Hex nut	2H	2H	4	4	8(M)	8(M)	8
13	Stem nut	410	410	410	410	410	410	410
14	Locking nut	35	35	35	35	35	35	35
15	Nameplate	AL	AL	AL	AL	AL	AL	AL
16	Handwheel	A197	A197	A197	A197	A197	A197	A190
17	Lubricating gasket	410	410	410	410	410	410	410
18	Packing	Graphite	Graphite	Graphite	Graphite	Graphite	Graphite	Graphite
19	Stop nut	35	35	35	35	35	35	35
23	Seal gasket	420	420	304	304	304(L)	316(L)	420
24	P.S.ring	304	304	304	304	304	316	316
25	P.S.seat	420	420	304	304	304(L)	316(L)	F91
26	Nut pad	410	410	410	410	410	410	410
27	Packing nut	Cast steel	Cast steel	Cast steel	Cast steel	Stainless steel	Stainless steel	Cast steel

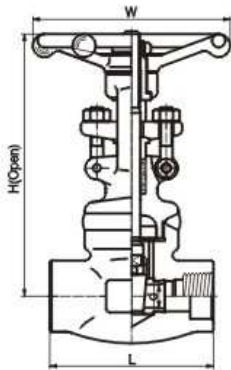
NPT And SW Gate Valves



◆ CL800

Bolted bonnet, full port reducing port outside screw and yoke(OS & Y)
Threaded, butt-welded or socket welded ends; design to API 602

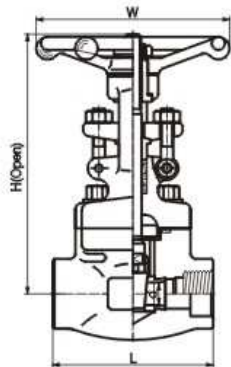
Specification (NPS)	R.P	-	1/2	3/4	1	1 ¹ / ₄	1 ¹ / ₂	2	2 ¹ / ₂
	F.P	1/4	3/8	1/2	3/4	1	1 ¹ / ₄	1 ¹ / ₂	2
Face to face (mm)	L	79	79	92	111	120	120	140	178
Handwheel diameter (mm)	W	100	100	100	125	160	160	180	200
Height (mm)	H	161	161	163	196	223	251	290	333
Flow port dimension (mm)	d	8	10.5	13.5	18	24	29	36.5	45
Weight (Kg)		2.22	2.3	2.39	4.24	5.7	7.05	10.9	16.8



◆ CL800

Welded bonnet, full port reducing port outside screw and yoke(OS & Y)
Threaded, butt-welded or socket welded ends; design to API 602

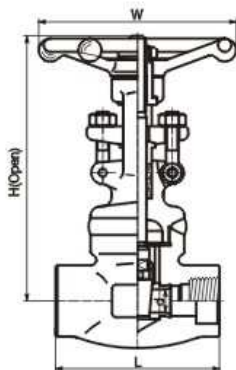
Specification (NPS)	R.P	-	1/2	3/4	1	1 ¹ / ₄	1 ¹ / ₂	2	2 ¹ / ₂
	F.P	1/4	3/8	1/2	3/4	1	1 ¹ / ₄	1 ¹ / ₂	2
Face to face (mm)	L	79	79	92	111	120	120	140	178
Handwheel diameter (mm)	W	100	100	100	125	160	160	180	200
Height (mm)	H	161	161	163	196	223	251	290	333
Flow port dimension (mm)	d	8	10.5	13.5	18	24	29	36.5	45
Weight (Kg)		1.9	1.9	2.1	3.2	5.2	6.9	10.4	15.8



◆ CL1500

Bolted bonnet, full port reducing port outside screw and yoke(OS&Y)
Threaded, butt-welded or socket welded ends; design to API 602

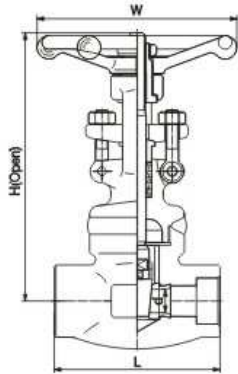
Specification (NPS)	R.P	-	1/2	3/4	1	1 ¹ / ₄	1 ¹ / ₂	2	2 ¹ / ₂
	F.P	1/4	3/8	1/2	3/4	1	1 ¹ / ₄	1 ¹ / ₂	2
Face to face (mm)	L	92	111	111	120	120	140	178	180
Handwheel diameter (mm)	W	100	125	125	160	160	180	200	220
Height (mm)	H	191	191	192	219	243	296	316	370
Flow port dimension (mm)	d	8	10.5	13.5	18	24	29	36.5	45
Weight (Kg)		2.4	4.3	4.4	6	7.2	11.4	16	23



◆ CL1500

Welded bonnet, full port reducing port outside screw and yoke(OS&Y)
Threaded, butt-welded or socket welded ends; design to API 602

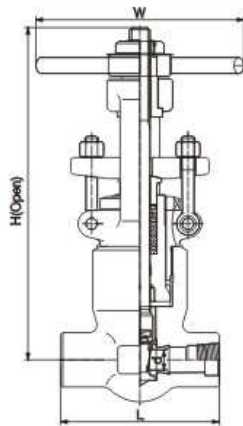
Specification (NPS)	R.P	-	1/2	3/4	1	1 ¹ / ₄	1 ¹ / ₂	2	2 ¹ / ₂
	F.P	1/4	3/8	1/2	3/4	1	1 ¹ / ₄	1 ¹ / ₂	2
Face to face (mm)	L	92	111	111	120	120	140	178	180
Handwheel diameter (mm)	W	100	125	125	160	160	160	200	220
Height (mm)	H	171	207	207	240	258	330	355	370
Flow port dimension (mm)	d	8	10.5	13.5	18	24	29	36.5	45
Weight (Kg)		2.3	4	4	4.8	7.1	11	16	22.8



◆ CL2500

Welded bonnet, full port outside screw and yoke (OS & Y)
Socket welded ends, design conform to ASME B16.34

Specification (NPS)		3/8	1/2	3/4	1	1 1/4
Face to face (mm)	L	111	120	120	120	140
Handwheel diameter (mm)	W	125	160	160	180	220
Height (mm)	H	215	218	220	238	281
Flow port dimension (mm)	d	14	14	14	19	25
Weight (Kg)		7	8.5	8.7	11.7	17



◆ CL1500-CL2500

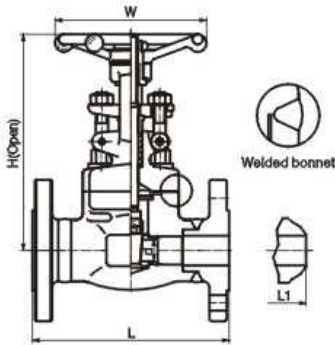
Pressure seal bonnet, full port outside screw and yoke (OS & Y)
Socket welded ends, design conform to ASME B16.34

Specification (NPS)	F.P		3/8	1/2	3/4	1	1 1/4	1 1/2	2	
Face to face (mm)	L	CL1500	140	140	140	140	178	178	216	
		CL2500	186	186	186	186	232	232	279	
Handwheel diameter (mm)	W	CL1500	200	200	200	200	280	280	300	
		CL2500	200	200	200	200	280	280	300	
Height (mm)	H	CL1500	318	318	318	322	467	468	540	
		CL2500	325	325	325	327	467	468	540	
Flow port dimension (mm)	d	CL1500	14	14	14	19	25	30	36.5	
		CL2500	14	14	14	19	25	30	36.5	
Weight (Kg)			CL1500	11.5	11.5	10.8	10.5	19.6	21.0	55.4
			CL2500	12.3	12.3	11.6	12.3	26.0	28.4	60.0

Forged Steel Flange Gate Valves

◆ CL150-300-600

Bolted bonnet, reducing port outside screw and yoke(OS & Y)
Flange-welded or butt-welded ends; design to API602;BS5352

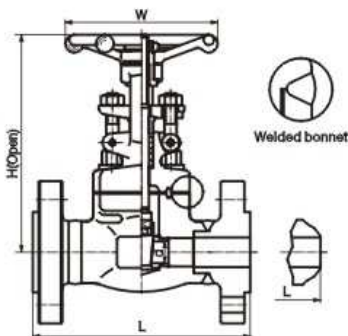


Specification(NPS)			1/2	3/4	1	1 ¹ / ₄	1 ¹ / ₂	2
Face to face (mm)	CL150	L(RF) L1(BW)	108	117	127	140	165	178
	CL300		140	152	165	178	190	216
	CL600		165	190	216	229	241	292
Handwheel diameter (mm)		W	100	100	125	160	160	180
Height (mm)	CL150	H	176	184	217	226	250	290
	CL300,CL600		161	163	196	226	250	290
Height (angle dimension) (mm)		d	10	13.5	18	24	29	36.5
Weight (Kg)	CL150	RF	3.4	3.98	6.12	7.2	10.4	15.5
		BW	2.8	3.3	5.4	6.5	8.2	12.5
	CL300	RF	3.77	4.89	7.23	9.6	12.64	18
		BW	3.5	4.4	6.8	8.1	9.2	15.4
	CL600	RF	4.2	5.8	8.8	12.1	15.6	19.5
		BW	4.5	5.1	8.2	10.5	12.4	20.1

Flange Integrity Forged Steel Valve enquiry please contact sales department.

◆ CL900-CL1500

Welded bonnet, full port outside screw and yoke(OS & Y)
Flange-welded or butt-welded ends; design to BS5352

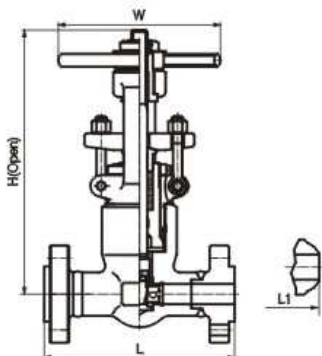


Specification(NPS)			1/2	3/4	1	1 ¹ / ₄	1 ¹ / ₂	2
Face to face (mm)	L(RF),L1(BW)		216	229	254	279	305	368
		L(RTJ)	216	229	254	279	305	371
Handwheel diameter (mm)		W	125	125	160	180	200	220
Height (mm)		H	191	192	219	257	296	316
Height(angle dimension) (mm)		d	13.5	18	24	29	36.5	45
Weight(Kg)			7.2	11.5	15.6	16.2	22.6	28.2

Flange Integrity Forged Steel Valve enquiry please contact sales department.

◆ CL2500

Pressure seal gate valves, full port outside screw and yoke(OS & Y)
Flange-welded or butt-welded ends; design to ASME B16.34



Specification(NPS)			1/2	3/4	1	1 ¹ / ₄	1 ¹ / ₂	2
Face to face (mm)	L(RF),L1(BW)		264	273	308	-	384	451
	L(RTJ)		264	273	308	-	387	454
Handwheel diameter (mm)		W	200	200	200	-	280	300
Height (mm)		H	325	325	327	-	478	540
Height(angle dimension) (mm)		d	13.5	13.5	19	-	30	36.5
Weight(Kg)			14.6	16.8	17.6	-	25	31.9

◆ Feature

Description(Feature,product range)

Size:1/2"~2"

Class:150LB~2500LB

Body Material:A105N,LF2,F11/F22,F5/F9,F304,F316,F304L,F316L,
F321,F347,MONEL,etc.

Trim:API600

End connection: SW, NPT, BW, Therefore, RTJ

Full Die Forged Body

Bolted or Welded or Pressure Seal Bonnet

Plug or Needle Disc

Integral Flange

Full or Reduce Port

Cryogenic Service Optional

◆ Specification

Design:API602,ASME B16.34

Face to Face: Factory Standard

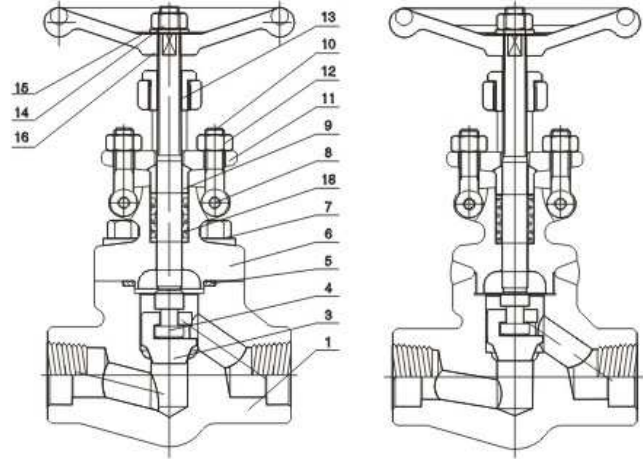
End Flange:ASME B16.5,

SW end: ANSI B16.11

NPT end: ANSI B1.20.1

Test:API598

Special:NACE MR-01-75



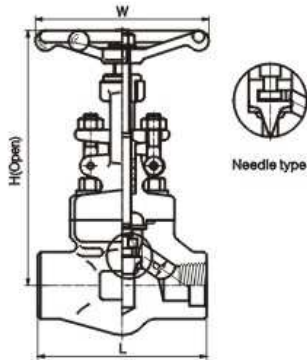
◆ Material List

No.	Part name	A105/F6a	A105/F6a+HF	LF2/304	F11/F6a+HF	F304(L)/304(L)	F316(L)/316(L)	F51/F51
1	Body	A105	A105+HF	LF2	F11+HF	F304(L)	F316(L)	F51
3	Disc	F6a	F6a	F304	F6a+HF	F304(L)	F316(L)	F51
4	Stem	410	410	304	410	304(L)	316(L)	F51
5	Gasket	304+ Flexible graphite	304+ Flexible graphite	304+ Flexible graphite	304+ Flexible graphite	304+ Flexible graphite	316+ Flexible graphite	316+ Flexible graphite
6	Bonnet	A105	A105	LF2	F11	F304(L)	F316(L)	F51
7	Bolt	B7	B7	L7	B16	B8(M)	B8(M)	B8M
8	Pin	410	410	410	410	304	304	304
9	Gland	410	410	304	410	304	316	F51
10	Gland eyebolt	B7	B7	L7	B16	B8(M)	B8(M)	B8M
11	Gland flange	A105	A105	LF2	F11	F304	F304	F304
12	Hex nut	2H	2H	4	4	8(M)	8(M)	8M
13	Stem nut	410	410	410	410	410	410	410
14	Locking nut	35	35	35	35	35	35	35
15	Nameplate	AL	AL	AL	AL	AL	AL	AL
16	Handwheel	A197	A197	A197	A197	A197	A197	A197
18	Packing	Graphite	Graphite	Graphite	Graphite	Graphite	Graphite	Graphite

NPT And SW Globe Valves

◆ CL800

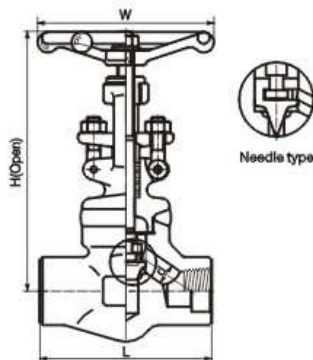
Bolted bonnet, full port or reducing port outside screw and yoke(OS & Y)
Threaded, butt-welded or socket welded ends; design to BS5352



Specification (NPS)	R.P	-	1/2	3/4	1	1 ¹ / ₄	1 ¹ / ₂	2	2 ¹ / ₂
	F.P	1/4	3/8	1/2	3/4	1	1 ¹ / ₄	1 ¹ / ₂	2
Face to face(mm)	L	79	79	92	111	120	152	172	200
Handwheel diameter (mm)	W	100	100	100	125	160	160	180	200
Height (mm)	H	164	164	164	203	224	260	300	355
Flow port dimension (mm)	d	7	9	13	17.5	23	30	35	46
Weight (Kg)		1.9	2.28	2.37	4.3	5.75	7.8	12.5	17.5

◆ CL800

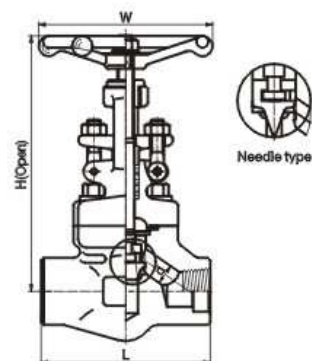
Welded bonnet, full port or reducing port outside screw and yoke(OS & Y)
Threaded, butt-welded or socket welded ends; design to BS5352



Specification (NPS)	R.P	-	1/2	3/4	1	1 ¹ / ₄	1 ¹ / ₂	2	2 ¹ / ₂
	F.P	1/4	3/8	1/2	3/4	1	1 ¹ / ₄	1 ¹ / ₂	2
Face to face (mm)	L	79	79	92	111	120	152	172	200
Handwheel diameter (mm)	W	100	100	100	125	160	160	180	200
Height (mm)	H	164	164	164	203	224	260	300	355
Flow port dimension (mm)	d	7	9	13	17.5	23	30	35	46
Weight (Kg)		1.7	1.7	1.9	3.3	5.2	6.8	10.6	13.8

◆ CL900-CL1500

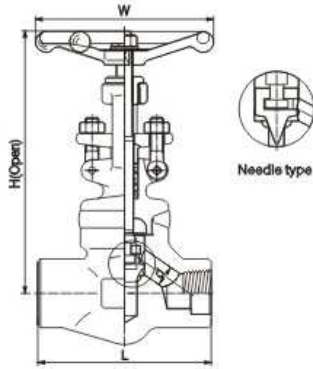
Bolted bonnet, full port or reducing port outside screw and yoke(OS&Y)
Threaded, butt-welded or socket welded ends; design to BS5352



Specification (NPS)	R.P	-	1/2	3/8	1	1 ¹ / ₄	1 ¹ / ₂	2	2 ¹ / ₂
	F.P	1/4	3/8	1/2	3/4	1	1 ¹ / ₄	1 ¹ / ₂	2
Face to face (mm)	L	92	111	111	120	152	172	200	220
Handwheel diameter (mm)	W	100	125	125	160	160	180	200	240
Height (mm)	H	171	207	207	240	258	330	355	370
Flow port dimension (mm)	d	7	12	15	20	28	32	40	45
Weight (Kg)		2.3	3.6	3.7	6.8	7.6	11.6	15	21.9

◆ CL900-CL1500

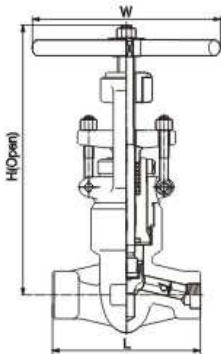
Welded bonnet, full port or reducing port outside screw and yoke(OS&Y)
Threaded, butt-welded or socket welded ends; design to BS5352



Specification (NPS)	R.P	-	1/2	3/4	1	1 ¹ / ₄	1 ¹ / ₂	2	2 ¹ / ₂
	F.P	1/4	3/8	1/2	3/4	1	1 ¹ / ₄	1 ¹ / ₂	2
Face to face (mm)	L	92	111	111	120	152	172	200	220
Handwheel diameter (mm)	W	100	125	125	160	160	180	200	240
Height (mm)	H	171	207	207	240	258	330	355	370
Flow port dimension (mm)	d		12	15	20	28	32	40	45
Weight (Kg)		2.2	3.3	3.4	5.6	6.0	10.3	14.2	18.0

◆ CL900-CL1500

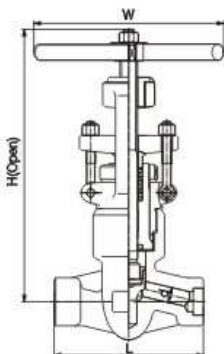
Pressure seal bonnet, full port outside screw and yoke(OS & Y)
Threaded, butt-welded or socket welded ends; design to BS5352



Specification (NPS)	F.P	1/2	3/4	1	1 ¹ / ₄	1 ¹ / ₂	2
Face to face (mm)	L	140	140	140	178	178	216
Handwheel diameter (mm)	W	200	200	200	280	280	300
Height (mm)	H	320	320	320	440	440	490
Flow port dimension (mm)	d	12	15	20	28	32	40
Weight (Kg)		10.8	10.5	11.5	19.6	21.1	55.4

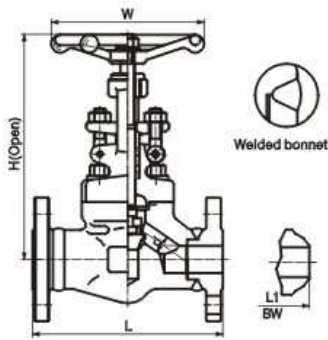
◆ CL2500

Pressure seal bonnet, full port outside screw and yoke(OS & Y)
Socket welded ends, design conform to ASME B16.34



Specification (NPS)	F.P	1/2	3/4	1	1 ¹ / ₄	1 ¹ / ₂	2
Face to face (mm)	L	186	186	186	232	232	279
Handwheel diameter (mm)	W	200	200	200	280	280	300
Height (mm)	H	375	378	380	490	490	540
Flow port dimension (mm)	d	11	14	19	25	28	35
Weight (Kg)		10.8	11.6	12.3	26.0	28.4	60

Flange And BW Globe Valves



◆ CL150-300-600

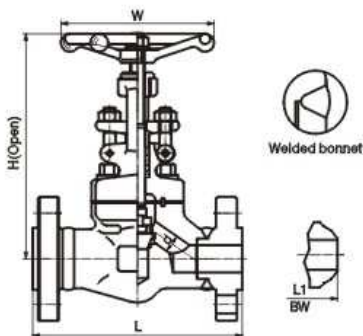
Welded bonnet, reducing port outside screw and yoke(OS & Y)
Flange or butt-welding design to BS5352

Specification(NPS)		R.P	1/2	3/4	1	1 ¹ / ₄	1 ¹ / ₂	2
Face to face (mm)	CL150	L(RF) L1(BW)	108	117	127	140	165	203
	CL300		152	178	203	216	229	267
	CL600		165	190	216	229	241	292
Handwheel diameter (mm)	W	100	100	125	160	160	180	
Height (mm)	CL150/CL300	H	180	184	217	224	260	300
	CL600		164	164	203	224	260	300
Flow port dimension (mm)	d		9	13	17.5	23	30	35
Weight (Kg)	CL150	R F	3.45	4.00	6.19	9.6	10.5	17
		BW	2.3	3.6	7.8	8.2	12.0	15.0
	CL300	R F	3.8	5.1	7.2	12	13.5	19.7
		BW	2.8	4.0	8.5	9.2	12.6	16.8
	CL600	R F	5.6	7.8	12.5	17	23.5	38.8
		BW	3.4	4.7	9.2	10.5	13.3	18.9

Flange Integrity Forged Steel Valve enquiry please contact sales department.

◆ CL900-CL1500

Welded bonnet, full port outside screw and yoke(OS & Y)
Flange or butt-welding design to BS5352

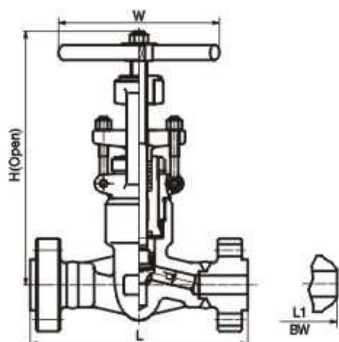


Specification (NPS)		F.P	1/2	3/4	1	1 ¹ / ₄	1 ¹ / ₂	2
Face to face (mm)		L(RF),L1(BW)	216	229	254	279	305	368
		L(RTJ)	216	229	254	279	305	371
Handwheel diameter (mm)	W		125	125	160	160	180	200
Height (mm)	H		207	207	230	160	300	355
Flow port dimension (mm)	d		12	15	20	28	32	40
Weight (Kg)			11	13.2	17.4	19	24.5	31

Flange Integrity Forged Steel Valve enquiry please contact sales department.

◆ CL2500

Pressure seal bonnet, full port outside screw and yoke(OS & Y)
Welding flange or butt-welded design conform to ASME B16.34



Specification (NPS)		F.P	1/2	3/4	1	1 ¹ / ₄	1 ¹ / ₂	2
Face to face (mm)		L(RF),L1(BW)	264	273	308	349	384	451
		L(RTJ)	264	273	308	349	387	454
Handwheel diameter (mm)	W		200	200	280	280	280	300
Height (mm)	H		320	320	320	440	440	490
Flow port dimension (mm)	d		11	14	19	25	28	35
Weight (Kg)			21.5	24.7	30.4	48.1	58.1	130

◆ Feature

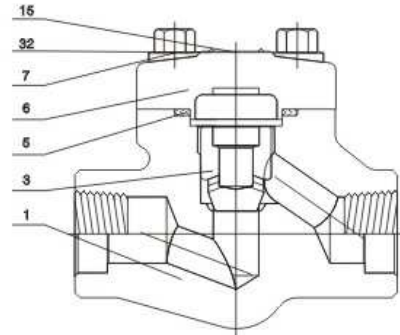
Description(Feature,product range)
 Size:1/2"~2"
 Class:150LB~2500LB
 Body Material:A105N,LF2,F11/F22,F5/F9,F304,F316,F304L,
 F316L,F321,F347,MONEL,etc.
 Trim:API600
 End connection:SW,NPT,BW,RF,RTJ
 Full Die Forged Body
 Bolted or Welded
 Swing or Lift Disc
 Integral flange
 Full or Reduce Port
 Cryogenic Service Optional

◆ Specification

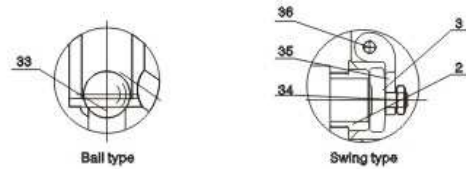
Standard(Specification,design standard)
 Design:API602,ASME B16.34
 Face to Face: Factory Standard
 End Flange:ASME B16.5,
 SW end: ANSI B16.11
 NPT end: ANSI B1.20.1
 Test:API598
 Special:NACE MR-01-75

◆ Material List

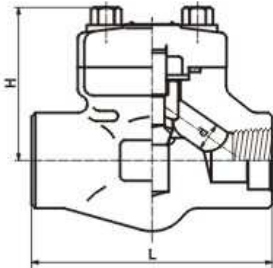
No.	Part name	A105/F6a	A105/F6a+HF	LF2/304	F11/F6a+HF	F304(L)/304(L)	F316(L)/316(L)	F51/F51
1	Body	A105	A105	LF2	F11	F304(L)	F316(L)	F51
2	Seat ring	410	410HF	304	410HF	304(L)	316(L)	F51
3	Disc	F6a	F6a	F304	F6aHF	F304(L)	F316(L)	F51
5	Gasket	304+ Flexible graphite	304+ Flexible graphite	304+ Flexible graphite	304+ Flexible graphite	304+ Flexible graphite	316+ Flexible graphite	316+ Flexible graphite
6	Bonnet	A105	A105	LF2	F11	F304(L)	F316(L)	F51
7	Bolt	B7	B7	L7	B16	B8(M)	B8(M)	B8M
15	Nameplate	AL	AL	AL	AL	AL	AL	AL
32	Revit	AL	AL	AL	AL	AL	AL	AL
33	Steel ball	430	430	304	STL	316(L)	316(L)	STL
34	Disc nut	2H	2H	4	4	8(M)	8(M)	8M
35	Hinge	410	410	304	410	316(L)	316(L)	F51
36	Pin	410	410	304	410	304(L)	316(L)	F51



Please mark in you offer if you need load spring



NPT And SW Check Valves



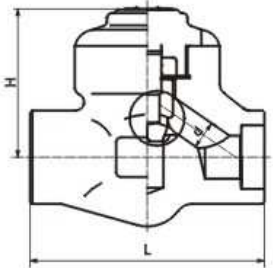
Swing type

Please mark in your offer, if you need load spring.

◆ CL800

Bolted bonnet, full port and reducing port
Threaded, butt-welded or socket welded ends; design to BS5352

Specification (NPS)	R.P		1/2	3/4	1	1 ¹ / ₄	1 ¹ / ₂	2		
	F.P		1/4	3/8	1/2	3/4	1	1 ¹ / ₄	1 ¹ / ₂	
Face to face (mm)	L	Lift	79	79	92	111	120	152	172	200
		Swing	79	79	92	111	120	120	140	178
Height (mm)	H	Lift	61	61	61	78	84	84	118	132
		Swing	61	61	61	78	84	84	120	133
Flow port dimension (mm)	d	Lift	7	9	13	17.5	23	30	35	46
		Swing	8	10.5	13.5	18	24	29	36.5	45
Weight (Kg)		Lift	1.2	1.5	1.7	3.3	4.2	4.2	10.5	12.5
		Swing	1.4	1.5	1.7	3.3	4.2	4.2	8.5	10.9



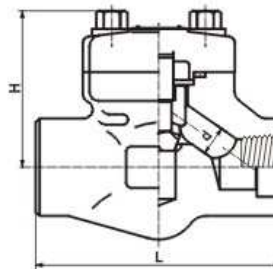
Ball type

Please mark in your offer, if you need load spring.

◆ CL800

Welded bonnet, full port and reducing port
Threaded, butt-welded or socket welded ends; design to BS5352

Specification (NPS)	R.P		1/2	3/4	1	1 ¹ / ₄	1 ¹ / ₂	2	2 ¹ / ₂	
	F.P		1/4	3/8	1/2	3/4	1	1 ¹ / ₄	1 ¹ / ₂	
Face to face (mm)	L		79	79	92	111	120	152	172	200
Height (mm)	H		61	61	61	78	84	103	118	132
Flow port dimension (mm)	d		7	9	13	17.5	23	30	35	46
Weight (Kg)			1.2	1.3	1.5	3.0	3.9	6.0	10	12



Ball type



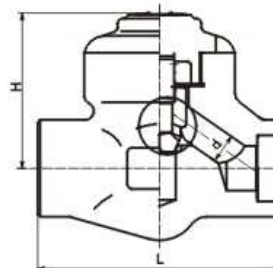
Swing type

Please mark in your offer, if you need load spring.

◆ CL900-CL1500

Bolted bonnet, full port and reducing port
Threaded, butt-welded or socket welded ends; design to BS5352

Specification (NPS)	R.P		1/2	3/4	1	1 ¹ / ₄	1 ¹ / ₂	2	
	F.P		1/4	3/8	1/2	3/4	1	1 ¹ / ₄	1 ¹ / ₂
Face to face (mm)	L	Lift	92	111	111	120	152	172	200
		Swing	92	111	111	120	120	140	178
Height (mm)	H	Lift	61	78	78	84	103	118	132
		Swing	61	78	78	84	101	120	133
Flow port dimension (mm)	d	Lift	7	12	15	20	28	32	40
		Swing	8	10.5	13.5	18	24	29	45
Weight (Kg)		Lift	1.5	3.4	3.3	4.2	6.3	10.5	12.5
		Swing	1.5	3.3	3.4	4.2	5.0	8.5	10.9



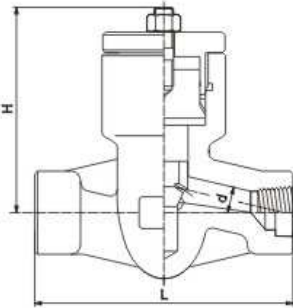
Ball type

Please mark in your offer, if you need load spring.

◆ CL900-CL1500

Welded bonnet, full port and reducing port
Threaded, butt-welded or socket welded ends; design to BS5352

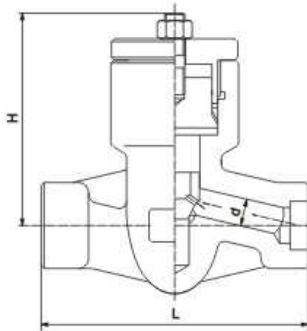
Specification (NPS)	R.P		1/2	3/4	1	1 ¹ / ₄	1 ¹ / ₂	2	
	F.P		1/4	3/8	1/2	3/4	1	1 ¹ / ₄	
Face to face (mm)	L		92	111	111	120	152	172	200
Height (mm)	H		61	78	78	84	103	118	132
Flow port dimension (mm)	d		7	12	15	20	28	32	40
Weight (Kg)			1.3	3.1	3.1	3.9	5.8	10.0	11.5



◆ CL900-CL1500

Pressure seal bonnet, full port and reducing port
Threaded, butt-welded or socket welded ends; design to BS5352

Specification (NPS)	R.P	1/2	3/4	1	1 ¹ / ₄	1 ¹ / ₂	2	2 ¹ / ₂
	F.P	3/8	1/2	3/4	1	1 ¹ / ₄	1 ¹ / ₂	2
Face to face (mm)	L	140	140	140	178	216	216	
Height (mm)	H	117	117	117	152	195	195	
Flow port dimension (mm)	d	12	15	20	28	32	40	
Weight (Kg)		6.8	7.0	7.5	18.5	20.3	22	

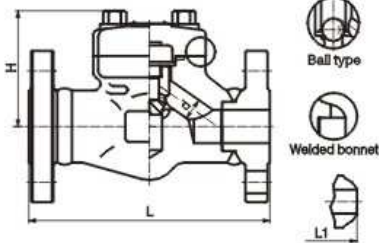


◆ CL2500

Pressure seal bonnet, full port
Threaded, butt-welded or socket welded ends; design to ASME B16.34

Specification (NPS)	F.P	1/2	3/4	1	1 ¹ / ₄	1 ¹ / ₂	2
Face to face (mm)	L	186	186	186	232	232	279
Height (mm)	H	117	117	117	152	152	195
Flow port dimension (mm)	d	11	14	19	25	28	35
Weight (Kg)		10.5	11	11.8	23	26.4	39

Flange And BW Check Valves



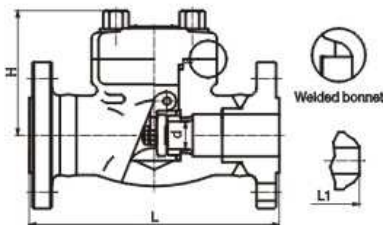
◆ CL150-300-600

Bolted bonnet, full port
Flange-welded or butt-welded ends; design to BS5352

Specification (NPS)		R.P	1/4	3/8	1/2	3/4	1	1 ¹ / ₄	1 ¹ / ₂	2
Face to face (mm)	CL150	L(RF)	-	-	108	118	127	140	165	203
	CL300	L1(BW)	-	-	153	178	203	216	229	267
	CL600		-	-	165	191	216	229	241	292
Height (mm)	CL150	H	-	-	77	81	93	95	103	118
	CL300/600		-	-	61	78	84	101	120	133
Flow port dimension (mm)		d	-	-	10	13	17.5	23	30	35
Weight (Kg)	CL150	RF	-	-	3.6	4.6	8.5	9.2	12.5	14.8
		BW	-	-	3.0	3.6	7.6	8.5	11.3	13.6
	CL300	RF	-	-	3.7	4.8	8.8	9.6	13.7	17.8
		BW	-	-	3.2	4.3	8.0	8.6	12.7	16.2
	CL600	RF	-	-	4.0	5.8	9.5	10.4	15.6	24.5
		BW	-	-	3.4	5.1	8.8	9.2	14.8	22.5

◆ CL150-300-600

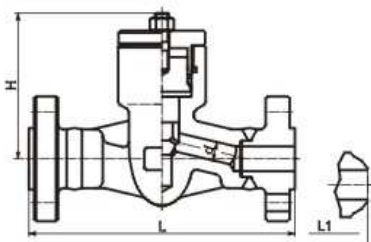
Bolted bonnet, full port
Flange-welded or butt-welded ends; design to BS5352



Specification (NPS)		R.P	1/4	3/8	1/2	3/4	1	1 ¹ / ₄	1 ¹ / ₂	2
Face to face (mm)	CL150	L(RF)	-	-	108	118	127	140	165	203
	CL300	L1(BW)	-	-	153	178	203	216	229	267
	CL600		-	-	165	191	216	229	241	292
Height (mm)	CL150	H	-	-	77	81	93	95	103	118
	CL300/600		-	-	61	78	84	101	120	133
Flow port dimension (mm)		d	-	-	10.5	13.5	18	24	29	36.5
Weight (Kg)	CL150	RF	-	-	3.6	4.6	8.5	9.2	12.5	14.8
		BW	-	-	3.0	3.6	7.6	8.5	11.3	13.6
	CL300	RF	-	-	3.7	4.8	8.8	9.6	13.7	17.8
		BW	-	-	3.2	4.3	8.0	8.6	12.7	16.2
	CL600	RF	-	-	4.0	5.8	9.5	10.4	15.6	24.5
		BW	-	-	3.4	5.1	8.8	9.2	14.8	22.5

◆ CL900-CL1500

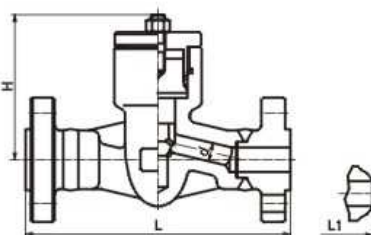
Pressure seal, bolted bonnet, full port and reducing port
Flange-welded or butt-welded ends; design to BS5352



Specification (NPS)		F.P	3/8	1/2	3/4	1	1 ¹ / ₄	1 ¹ / ₂	2
Face to face (mm)		L(RF), L1(BW)		216	229	254	280	305	268
		L(RTJ)		216	229	254	280	305	371
Height (mm)		H		117	117	117	152	152	195
Flow port dimension (mm)		d		12	15	20	28	32	40
Weight (Kg)				10.5	11.9	13.9	19.9	26.9	32.5

◆ CI2500

pressure seal, bolted bonnet, full port
Flange-welded or butt-welded ends; design to ASME B16.34

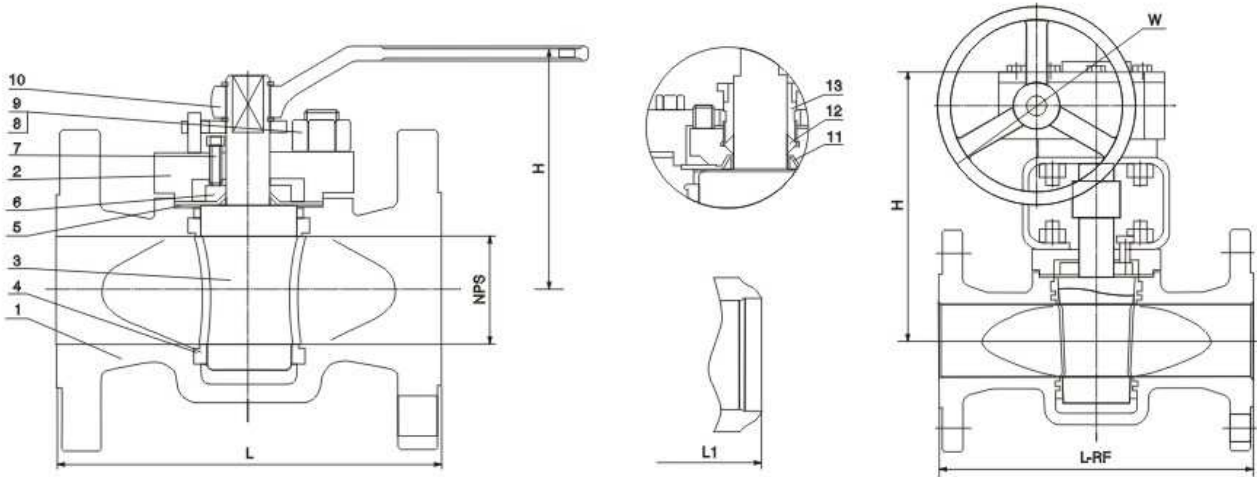


Specification (NPS)		F.P	3/8	1/2	3/4	1	1 ¹ / ₄	1 ¹ / ₂	2
Face to face (mm)		L(RF), L1(BW)		264	273	308	349	384	450
		L(RTJ)		264	273	308	352	387	454
Height (mm)		H		117	117	117	152	152	195
Flow port dimension (mm)		d		12	15	20	32	28	40
Weight (Kg)				12.6	14.9	16.5	24.8	30	35

PLUG VALVE SERIES



Top-Entry Self Lubricated Plug Valve



Gear Standard for 4" & Larger

◆ Feature

Size: 1/2"~20"
 Class: 150LB~900LB
 Body Material: Cast Carbon Steel, Cast Alloy Steel,
 Cast Stainless Steel, Duplex Steel, etc.
 Sleeve: PTFE, PPL
 Unique 360 Degree Metal Edge
 Full Jacket or Semi Jacket (On Request)

◆ Specification

Design: API599, API6D
 Face to Face: ASME B16.10
 End Flange: ASME B16.5
 Test: API598, API6D

◆ Material List

NO .	Part name	ASTM Material		
1	Body	A216-WCB	A351-CF8M	A352-LCB
2	Bonnet	A216-WCB	A351-CF8M	A352-LCB
3	Plug	A351-CF8	A351-CF8M	A352-LCB
4	Sleeve	Glass filled PTFE/PTFE		
5	Bonnet gasket	Graphite+3042)	Graphite+3162)	Graphite+3042)
6	Adjusting gasket	A182-F6a	A182-F316	A182-F6a
7	Adjusting bolt	A193-B7	A193-B8	A320-L7
8	Bonnet stud	A193-B7	A193-B8	A320-L7
9	Bonnet bolt	A194-2H	A194-8	A194-7
10	Handle	A216-WCB		
11	Diaphragm	A167-304+PTFE	A167-316+PTFE	A167-304+PTFE
12	Packing	Graphite		
13	Gland flange	A216-WCB	A217-WC6	A352-LCB

Note: 1). A216-WCB+ENP Optional; 2). Jacketed construction.

◆ Size

ANSI Class 150									
Size	in	2	2 1/2	3	4	6	8	10	12
	mm	50	65	80	100	150	200	250	300
L (RF)	in	7.00	7.50	8.00	9.00	10.50	11.50	13.00	14.00
	mm	178	191	203	229	267	292	330	356
L1 (BW)	in	10.50	12.00	13.00	14.00	18.00	20.50	22.00	25.00
	mm	267	305	330	356	457	521	559	635
H	in	6.00	6.50	7.12	15.00	20.50	22.88	24.50	26.75
	mm	150	165	180	380	520	580	620	680

ANSI Class 300									
Size	in	2	2 1/2	3	4	6	8	10	12
	mm	50	65	80	100	150	200	250	300
L (RF)	in	8.5	9.5	11.0	12.0	16.0	16.5	18.0	20.0
	mm	216	241	283	305	403	419	457	502
L1 (BW)	in	10.50	12.00	13.00	14.00	18.00	20.50	22.00	25.00
	mm	267	305	330	356	457	521	559	635
H	in	6.00	6.50	7.12	15.00	20.50	22.88	24.50	26.75
	mm	150	165	180	380	520	580	620	680

ANSI Class 600									
Size	in	2 1/2	2	3	4	6	8	10	12
	mm	50	65	80	100	150	200	250	300
L/L1 (RF/BW)	in	11.50	13.00	14.00	16.00	19.50	23.50	26.50	30.00
	mm	292	330	356	432	559	660	787	838
L2 (RTJ)	in	11.62	13.12	14.12	16.12	19.62	23.62	26.62	30.12
	mm	295	333	359	435	562	664	791	841
H	in	6.12	6.75	7.25	15.38	20.88	23.25	24.88	27.12
	mm	155	170	185	390	530	590	630	690

ANSI Class 900									
Size	in	2 1/2	2	3	4	6	8	10	12
	mm	50	65	80	100	150	200	250	300
L/L1 (RF/BW)	in	14.50	16.50	15.00	18.00	24.00	29.00	33.00	38.00
	mm	368	419	381	457	610	737	838	965
L2 (RTJ)	in	14.62	16.62	15.12	18.12	24.12	29.12	33.12	38.12
	mm	371	422	384	460	613	740	841	968
H	in	6.12	6.75	7.25	15.38	20.88	23.25	24.88	27.12
	mm	155	170	185	390	530	590	630	690

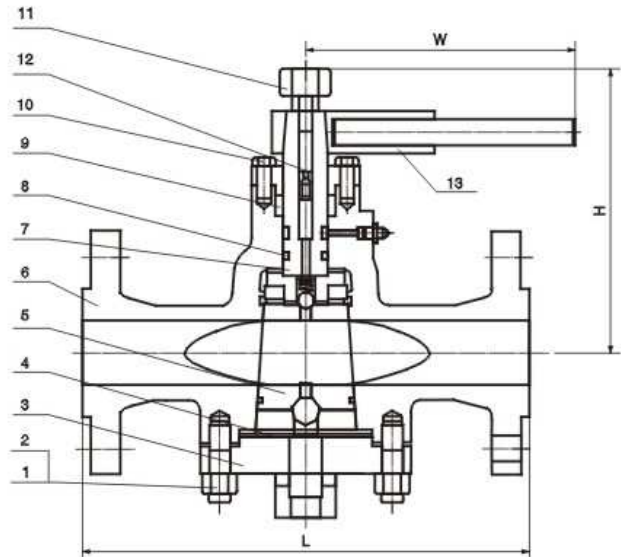
Pressure Balance Lubricated Plug Valve

◆ Feature

Size: 2"~32"
 Class: 150LB~2500LB
 Body Material: Cast Carbon Steel, Cast Alloy Steel,
 Cast Stainless Steel, Duplex Steel, etc.
 Plug: Cast Alloy Steel, Cast Stainless Steel
 Flip-chip Balanceable Pressure Structure
 Full Jacket or Semi Jacket (On Request)

◆ Specification

Design: API599, API6D
 Face to Face: ASME B16.10
 End Flange: ASME B16.5
 BW End: ASME B16.25
 Test: API598, API6D



◆ Material List

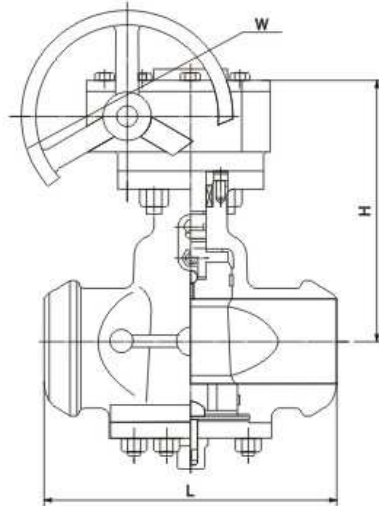
NO.	Part name	Material				
1, 2	Bolt/Nut	A193 B7/A194 2H	A193 B8/A194 8	A193 B8M	A194 8M	
3	Cover	A216 WCB	A351 CF8	A351 CF8M		
4	Gasket	Flexible graphite+stainless steel/PTFE				
5	Plug	CR13	A351 CF8	A351 CF8M	A351 CF3	A351 CF3M
6	Body	A216 WCB	A351 CF8	A351 CF8M	A351 CF3	A351 CF3M
7	Stem	A182 F410	A182 F304	A182 F316	A182 F304L	A351 CF3M
8	O ring	NBR/FEP/SBR				
9	Packing	Flexible graphite/PTFE				
10	Gland	A216 WCB	A351 CF8	A351 CF8M		
11, 12	Oichozzle/check valve	Material see body				
13	Wrench	ASTM A47-32510 A216 WCB				

◆ Size

ANSI Class 150																
Size	inch	1/2	3/4	1	1 1/4	1 1/2	2	2 1/2	3	4	5	6	8	10	12	14
L-RF	mm	108	117	127	140	165	178	190	203	229	254	267	292	330	356	381
H	mm	180	180	185	200	210	215	250	270	300	340	365	400	450	510	590
W	mm	400	400	500	500	600	600	820	820	300	300	320	320	350	380	380

ANSI Class 300																
Size	inch	1/2	3/4	1	1 1/4	1 1/2	2	2 1/2	3	4	5	6	8	10	12	14
L-RF	mm	140	152	165	178	190	216	241	283	305	381	403	419	457	502	762
H	mm	180	180	185	200	210	215	250	270	300	340	365	400	450	510	590
W	mm	400	400	500	500	600	600	820	820	300	300	320	320	350	380	380

Pressure Balance Lubricated Plug Valve



Gear Standard for 4" & Larger

Material List

NO.	Part name	Material				
		A216 WCB	A351 CF8	A351 CF8M	A351 CF3	A351 CF3M
1, 2	Bolt/Nut	A193 B7/A194 2H	A193 B8/A194 8	A193 B8M	A194 8M	
3	Cover	A216 WCB	A351 CF8	A351 CF8M		
4	Gasket	Flexible graphite+stainless steel/PTFE				
5	Plug	CR13	A351 CF8	A351 CF8M	A351 CF3	A351 CF3M
6	Body	A216 WCB	A351 CF8	A351 CF8M	A351 CF3	A351 CF3M
7	Stem	A182 F410	A182 F304	A182 F316	A182 F304L	A351 CF3M
8	"O" ring	NBR/FEP/SBR				
9	Packing	Flexible graphite/PTFE				
10	Gland	A216 WCB	A351 CF8	A351 CF8M		
11, 12	Olchozzle/check valve	Material see body				
13	Wrench	ASTM A47-32510 A216 WCB				

Size

ANSI Class 600																
Size	inch	1/2	3/4	1	1 1/4	1 1/2	2	2 1/2	3	4	5	6	8	10	12	14
L-RF/BW	mm	165	190	216	229	241	292	330	356	432	508	559	660	787	838	889
H	mm	180	180	185	200	210	215	250	270	300	340	365	400	450	510	590
W	mm	400	400	500	500	600	600	820	820	300	300	320	320	350	380	380

ANSI Class 900																
Size	inch	1/2	3/4	1	1 1/4	1 1/2	2	2 1/2	3	4	5	6	8	10	12	14
L-RF/BW	mm	229	229	254	279	305	368	419	381	457	559	610	737	838	965	1029
H	mm	180	180	185	200	210	215	250	270	300	340	365	400	450	510	590
W	mm	400	400	500	500	600	600	820	820	300	300	320	320	350	380	380

Flange Dimensions

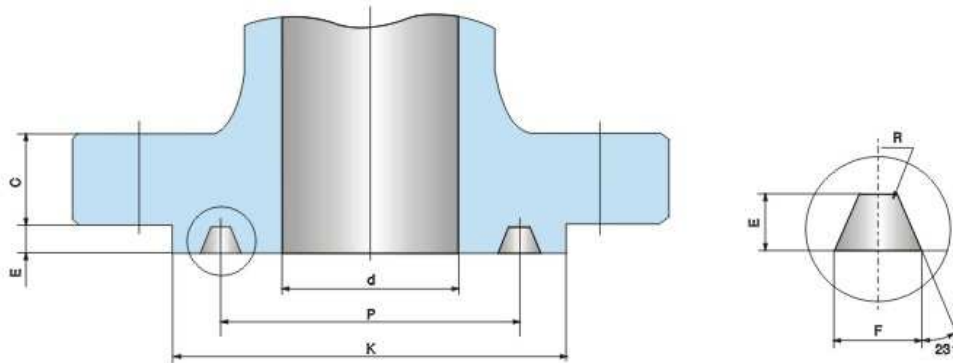
◆ ASME B16.5-2003 The Flange Pipe Size

CLASS	NPS	Channel Diameter d	Flange Excircle D	Flange Thickness C (Exclude Raised face)	Raised Face Excircle b	Raised Face f1	Drilling Centre Dia.K	Holes Small-Large n-L	Face to Face Acc. To ASME B16.10		
									R F	RJ	BW
600Lb	1/2	13	95	15	35	6.4	66.5	4-16	165	163	165
	3/4	19	118	16	43	6.4	82.5	4-19	190	190	190
	1	25	124	18	51	6.4	89	4-19	216	216	216
	1 1/4	32	133	21	64	6.4	98.5	4-19	229	229	229
	1 1/2	38	156	23	73	6.4	114.5	4-22	241	241	241
	2	49	165	26	92	6.4	127	8-19	292	295	292
	2 1/2	62	190	29	105	6.4	149	8-22	330	333	330
	3	74	210	32	127	6.4	168	8-22	356	359	356
	4	100	273	38	157	6.4	216	8-25	432	435	432
	5	127	330	45	186	6.4	266.5	8-29	508	511	508
	6	150	356	48	216	6.4	292	12-29	559	562	559
	8	201	419	56	270	6.4	349	12-32	660	664	660
	10	252	508	64	324	6.4	432	16-35	787	791	787
	12	303	559	67	381	6.4	489	20-35	838	841	838
	14	334	603	70	413	6.4	527	20-38	889	892	889
	16	385	686	77	470	6.4	603	20-41	991	994	991
	18	436	743	83	533	6.4	654	20-44	1092	1095	1092
20	487	813	89	584	6.4	724	24-44	1194	1200	1194	
24	589	940	102	692	6.4	838	24-52	1397	1407	1397	
900Lb	1/2	13	121	22.5	35	6.4	82.5	4-23	216	216	216
	3/4	19	130	25.5	43	6.4	88.9	4-23	229	229	229
	1	25	149	29	51	6.4	101.6	4-26	254	254	254
	1 1/4	32	159	29	64	6.4	111.1	4-26	279	279	279
	1 1/2	38	178	32	73	6.4	123.8	4-29	305	305	305
	2	49	216	38.5	92	6.4	165.1	8-26	368	371	368
	2 1/2	62	244	41.5	105	6.4	190.5	8-29	419	422	419
	3	74	241	38.5	127	6.4	190.5	8-26	381	384	381
	4	100	292	44.5	157	6.4	234.9	8-32	457	460	457
	5	127	349	51	186	6.4	279.4	8-35	559	562	559
	6	150	381	56	216	6.4	317.5	12-32	610	613	610
	8	201	470	63.5	270	6.4	393.7	12-39	737	740	737
	10	252	545	70	324	6.4	469.9	16-39	838	841	838
	12	303	610	79.5	381	6.4	533.4	20-39	965	968	965
	14	322	640	86	413	6.4	558.8	20-42	1029	1038	1029
	16	373	705	89	470	6.4	615.9	20-45	1130	1140	1130
	18	423	785	102	533	6.4	685.8	20-51	1219	1232	1219
20	471	855	108	584	6.4	749.3	20-54	1321	1334	1321	
24	570	1040	140	692	6.4	901.7	20-67	1549	1568	1549	

◆ ASME B16.5-2003 The Flange Pipe Size

CLASS	NPS	Channel Diameter d	Flange Excircle D	Flange Thickness C (Exclude Raised face)	Raised Face Excircle b	Raised Face f1	Drilling Centre Dia.K	Holes Small-Large n-L	Face to Face Acc. To ASME B16.10		
									R F	RJ	BW
1500Lb	1/2	13	121	22.5	35	6.4	82.5	4-23	216	216	216
	3/4	19	130	25.5	43	6.4	88.9	4-23	229	229	229
	1	25	149	29	51	6.4	101.6	4-26	254	254	254
	1 1/4	32	159	29	64	6.4	111.1	4-26	279	279	279
	1 1/2	38	178	32	73	6.4	123.8	4-29	305	305	305
	2	49	216	38.5	92	6.4	165.1	8-26	368	371	368
	2 1/2	62	244	41.5	105	6.4	190.5	8-29	419	422	419
	3	74	267	48	127	6.4	203.2	8-32	470	473	470
	4	100	311	54	157	6.4	241.3	8-35	546	549	546
	5	125	375	73.5	186	6.4	292.1	8-42	673	676	673
	6	144	394	83	216	6.4	317.5	12-39	705	711	705
	8	192	483	92.9	270	6.4	393.7	12-45	832	841	832
	10	239	585	108	324	6.4	482.6	12-51	991	1000	991
	12	287	675	124	381	6.4	571.5	16-54	1130	1146	1130
	14	315	750	133.5	413	6.4	635	16-61	1257	1276	1257
	16	360	825	146.5	470	6.4	704.8	16-67	1384	1407	1384
18	/	915	162	533	6.4	774.7	16-74	/	/	/	
20	/	985	178	584	6.4	831.8	16-80	/	/	/	
24	/	1170	203.5	692	6.4	990.6	16-93	/	/	/	
2500Lb	1/2	13	133	30.5	35	6.4	88.9	4-22	264	264	264
	3/4	19	140	32	43	6.4	95.3	4-22	273	273	273
	1	25	159	35.5	51	6.4	108	4-26	308	308	308
	1 1/4	32	184	38.5	64	6.4	130	4-29	349	352	349
	1 1/2	38	203	44.5	73	6.4	146.1	4-32	384	387	384
	2	42	235	50.8	92	6.4	171.5	8-29	451	454	451
	2 1/2	52	267	57.2	105	6.4	196.9	8-32	508	514	508
	3	62	305	66.6	127	6.4	228.6	8-35	578	584	578
	4	87	356	76.2	157	6.4	273.1	8-41	673	683	673
	5	100	419	92	186	6.4	323.9	8-48	794	807	794
	6	131	483	108	216	6.4	368.3	8-54	914	927	914
	8	179	553	127	270	6.4	438.2	12-54	1022	1038	1022
	10	223	673	165.1	324	6.4	539.8	12-67	1270	1292	1270
	12	265	762	184.2	381	6.4	619.3	12-73	1422	1445	1422

Flange Dimensions



◆ ASME B16.5-2003 Flange Size of Ring Joint Sealing Surface (RTJ,RJ)

CLASS	NSP	Channel Diameter d	Ring Number	Pitch Diameter P		Groove Depth E		Groove Width F		Bottom of the Channel Radius R	Protuberant Part Diameter K	Thickness of the Flange C
				in	mm	in	mm	in	mm			
150Lb	1/2	13	/	/	/	/	/	/	/	/	/	/
	3/4	19	/	/	/	/	/	/	/	/	/	/
	1	25	R15	1.875	47.625	0.25	6.35	0.344	8.74	0.8	63.5	12
	1 1/4	32	R17	2.25	57.15	0.25	6.35	0.344	8.74	0.8	73.2	13
	1 1/2	38	R19	2.562	65.075	0.25	6.35	0.344	8.74	0.8	82.6	15
	2	49	R22	3.25	82.55	0.25	6.35	0.344	8.74	0.8	101.6	16
	2 1/2	62	R25	4	101.6	0.25	6.35	0.344	8.74	0.8	120.7	18
	3	74	R29	4.5	114.3	0.25	6.35	0.344	8.74	0.8	133.4	19
	4	100	R36	5.875	149.23	0.25	6.35	0.344	8.74	0.8	171.5	24
	5	127	R40	6.75	171.45	0.25	6.35	0.344	8.74	0.8	193.5	24
	6	150	R43	7.625	193.68	0.25	6.35	0.344	8.74	0.8	218.9	26
	8	201	R48	9.75	247.65	0.25	6.35	0.344	8.74	0.8	273.1	29
	10	252	R52	12	304.8	0.25	6.35	0.344	8.74	0.8	330.2	31
	12	303	R56	15	381	0.25	6.35	0.344	8.74	0.8	406.4	32
	14	334	R59	15.625	396.88	0.25	6.35	0.344	8.74	0.8	425.5	35
	16	385	R64	17.875	454.03	0.25	6.35	0.344	8.74	0.8	482.6	37
18	436	R68	20.375	517.53	0.25	6.35	0.344	8.74	0.8	546.1	40	
20	487	R72	22	558.8	0.25	6.35	0.344	8.74	0.8	596.9	43	
24	589	R76	26.5	673.1	0.25	6.35	0.344	8.74	0.8	711.2	48	

◆ ASME B16.5-2003 Flange Size of Ring Joint Sealing Surface (RTJ,RJ)

CLASS	NSP	Channel Diameter d	Ring Number	Pitch Diameter P		Groove Depth E		Groove Width F		Bottom of the Channel Radius R	Protuberant Part Diameter K	Thickness of the Flange C
				in	mm	in	mm	in	mm			
300Lb	1/2	13	R11	1.344	34.138	0.219	5.56	0.281	7.14	0.8	50.8	15
	3/4	19	R13	1.688	42.875	0.25	6.35	0.344	8.74	0.8	63.5	16
	1	25	R16	2	50.8	0.25	6.35	0.344	8.74	0.8	69.9	18
	1 1/4	32	R18	2.375	60.325	0.25	6.35	0.344	8.74	0.8	79.2	19
	1 1/2	38	R20	2.688	68.275	0.25	6.35	0.344	8.74	0.8	90.4	21
	2	49	R23	3.25	82.55	0.312	7.92	0.469	11.91	0.8	108.0	23
	2 1/2	62	R26	4	101.6	0.312	7.92	0.469	11.91	0.8	127.0	26
	3	74	R31	4.875	123.83	0.312	7.92	0.469	11.91	0.8	146.1	29
	4	100	R37	5.875	149.23	0.312	7.92	0.469	11.91	0.8	174.8	32
	5	127	R41	7.125	180.98	0.312	7.92	0.469	11.91	0.8	209.6	35
	6	150	R45	8.312	211.12	0.312	7.92	0.469	11.91	0.8	241.3	37
	8	201	R49	10.625	269.88	0.312	7.92	0.469	11.91	0.8	301.8	42
	10	252	R53	12.75	323.85	0.312	7.92	0.469	11.91	0.8	355.6	48
	12	303	R57	15	381	0.312	7.92	0.469	11.91	0.8	412.8	51
	14	334	R60	16.5	419.1	0.312	7.92	0.469	11.91	0.8	457.2	54
	16	385	R65	18.5	469.9	0.312	7.92	0.469	11.91	0.8	508.0	58
18	436	R69	21	533.4	0.312	7.92	0.469	11.91	0.8	574.5	61	
20	487	R73	23	584.2	0.375	9.53	0.531	13.49	1.5	635.0	64	
24	589	R77	27.25	692.15	0.438	11.13	0.656	16.66	1.5	749.3	70	
600Lb	1/2	13	R11	1.344	34.138	0.219	5.56	0.281	7.14	0.8	50.8	15
	3/4	19	R13	1.688	42.875	0.25	6.35	0.344	8.74	0.8	63.5	16
	1	25	R16	2	50.8	0.25	6.35	0.344	8.74	0.8	69.9	18
	1 1/4	32	R18	2.375	60.325	0.25	6.35	0.344	8.74	0.8	79.2	21
	1 1/2	38	R20	2.688	68.275	0.25	6.35	0.344	8.74	0.8	90.4	23
	2	49	R23	3.25	82.55	0.312	7.92	0.469	11.91	0.8	108.0	26
	2 1/2	62	R26	4	101.6	0.312	7.92	0.469	11.91	0.8	127.0	29
	3	74	R31	4.875	123.83	0.312	7.92	0.469	11.91	0.8	146.1	32
	4	100	R37	5.875	149.23	0.312	7.92	0.469	11.91	0.8	174.8	38
	5	127	R41	7.125	180.98	0.312	7.92	0.469	11.91	0.8	209.6	45
	6	150	R45	8.312	211.12	0.312	7.92	0.469	11.91	0.8	241.3	48
	8	201	R49	10.625	269.88	0.312	7.92	0.469	11.91	0.8	301.8	56
	10	252	R53	12.75	323.85	0.312	7.92	0.469	11.91	0.8	355.6	64
	12	303	R57	15	381	0.312	7.92	0.469	11.91	0.8	412.8	67
	14	334	R60	16.5	419.1	0.312	7.92	0.469	11.91	0.8	457.2	70
	16	385	R65	18.5	469.9	0.312	7.92	0.469	11.91	0.8	508.0	77
18	436	R69	21	533.4	0.312	7.92	0.469	11.91	0.8	574.5	83	
20	487	R73	23	584.2	0.375	9.53	0.531	13.49	1.5	635.0	89	
24	589	R77	27.25	692.15	0.438	11.13	0.656	16.66	1.5	749.3	102	

Flange Dimensions

◆ ASME B16.5-2003 Flange Size of Ring Joint Sealing Surface (RTJ,RJ)

CLASS	NSP	Channel Diameter d	Ring Number	Pitch Diameter P		Groove Depth E		Groove Width F		Bottom of the Channel Radius R	Protuberant Part Diameter K	Thickness of the Flange C
				In	mm	In	mm	In	mm			
900Lb	1/2	13	R12	1.562	39.675	0.25	6.35	0.344	8.74	0.8	60.5	22.5
	3/4	19	R14	1.75	44.45	0.25	6.35	0.344	8.74	0.8	66.5	25.5
	1	25	R16	2	50.8	0.25	6.35	0.344	8.74	0.8	71.4	29
	1 1/4	32	R18	2.375	60.325	0.25	6.35	0.344	8.74	0.8	81.0	29
	1 1/2	38	R20	2.688	68.275	0.25	6.35	0.344	8.74	0.8	91.9	32
	2	49	R24	3.75	95.25	0.312	7.92	0.469	11.91	0.8	124.0	38.5
	2 1/2	62	R27	4.25	107.95	0.312	7.92	0.469	11.91	0.8	136.7	41.5
	3	74	R31	4.875	123.83	0.312	7.92	0.469	11.91	0.8	155.4	38.5
	4	100	R37	5.875	149.23	0.312	7.92	0.469	11.91	0.8	180.8	44.5
	5	127	R41	7.125	180.98	0.312	7.92	0.469	11.91	0.8	215.9	51
	6	150	R45	8.312	211.12	0.312	7.92	0.469	11.91	0.8	241.3	56
	8	201	R49	10.625	269.88	0.312	7.92	0.469	11.91	0.8	307.8	63.5
	10	252	R53	12.75	323.85	0.312	7.92	0.469	11.91	0.8	362.0	70
	12	303	R57	15	381	0.312	7.92	0.469	11.91	0.8	419.1	79.5
	14	322	R62	16.5	419.1	0.438	11.13	0.656	16.66	1.5	466.9	86
	16	373	R66	18.5	469.9	0.438	11.13	0.656	16.66	1.5	523.7	89
1500Lb	1/2	13	R12	1.562	39.675	0.25	6.35	0.344	8.74	0.8	60.5	22.5
	3/4	19	R14	1.75	44.45	0.25	6.35	0.344	8.74	0.8	66.5	25.5
	1	25	R16	2	50.8	0.25	6.35	0.344	8.74	0.8	71.4	29
	1 1/4	32	R18	2.375	60.325	0.25	6.35	0.344	8.74	0.8	81.0	29
	1 1/2	38	R20	2.688	68.275	0.25	6.35	0.344	8.74	0.8	91.9	32
	2	49	R24	3.75	95.25	0.312	7.92	0.469	11.91	0.8	124.0	38.5
	2 1/2	62	R27	4.25	107.95	0.312	7.92	0.469	11.91	0.8	136.7	41.5
	3	74	R35	5.375	136.53	0.312	7.92	0.469	11.91	0.8	168.1	48
	4	100	R39	6.375	161.93	0.312	7.92	0.469	11.91	0.8	193.5	54
	5	125	R44	7.625	193.68	0.312	7.92	0.469	11.91	0.8	228.6	73.5
	6	144	R46	8.312	211.12	0.375	9.53	0.531	13.49	1.5	247.7	83
	8	192	R50	10.625	269.88	0.438	11.13	0.656	16.66	1.5	317.5	92.9
	10	239	R54	12.75	323.85	0.438	11.13	0.656	16.66	1.5	371.3	108
	12	287	R58	15	381	0.562	14.27	0.906	23.01	1.5	438.2	124
	14	315	R63	16.5	419.1	0.625	15.88	1.062	26.97	2.3	489.0	133.5
	16	360	R67	18.5	469.9	0.688	17.48	1.188	30.18	2.3	546.1	146.5
18	/	R71	21	533.4	0.688	17.48	1.188	30.18	2.3	612.6	162	
20	/	R75	23	584.2	0.688	17.48	1.312	33.32	2.3	673.1	178	
24	/	R79	27.25	692.15	0.812	20.62	1.438	36.53	2.3	793.8	203.5	
2500Lb	1/2	13	R13	1.688	42.875	0.25	6.35	0.344	8.74	0.8	65.0	30.5
	3/4	19	R16	2	50.8	0.25	6.35	0.344	8.74	0.8	73.2	32
	1	25	R18	2.375	60.325	0.25	6.35	0.344	8.74	0.8	82.6	35.5
	1 1/4	32	R21	2.844	72.238	0.312	7.92	0.469	11.91	0.8	101.6	38.5
	1 1/2	38	R23	3.25	82.55	0.312	7.92	0.469	11.91	0.8	114.3	44.5
	2	42	R26	4	101.6	0.312	7.92	0.469	11.91	0.8	133.4	50.8
	2 1/2	52	R28	4.375	111.13	0.375	9.53	0.531	13.49	1.5	149.4	57.2
	3	62	R32	5	127	0.375	9.53	0.531	13.49	1.5	168.1	66.6
	4	87	R38	6.188	157.18	0.438	11.13	0.656	16.66	1.5	203.2	76.2
	5	100	R42	7.5	190.5	0.5	12.70	0.781	19.84	1.5	241.3	92
	6	131	R47	9	228.6	0.5	12.70	0.781	19.84	1.5	279.4	108
	8	179	R51	11	279.4	0.562	14.27	0.906	23.01	1.5	339.9	127
10	223	R55	13.5	342.9	0.688	17.48	1.188	30.18	2.3	425.5	165.1	
12	265	R60	16	406.4	0.688	17.48	1.312	33.32	2.3	495.3	184.2	



Comprehensive Engineering Solutions For Oil & Gas Fields

The logo for SKVAL, featuring the word "SKVAL" in a bold, white, sans-serif font with a registered trademark symbol (®) to the upper right, set against a solid blue rectangular background.

CMEC SKVAL VALVES

ADD:NO 659, JINMEN ROAD,SUZHOU,CHINA

ZIP CODE:215004

TEL:0086-512-65329693

FAX:0086-512-65327877

Email:info@skval.com

[Http://www.skval.com](http://www.skval.com)